

# ARISTA

## Quick Start Guide

Arista 5000 Series Enterprise WAN Routers

5310 and 5510



## Arista Networks

[www.arista.com](http://www.arista.com)

DOC-06420-01

<b>Headquarters</b>	<b>Support</b>	<b>Sales</b>
5453 Great America Parkway Santa Clara, CA 95054 USA +1-408-547-5500	+1-408-547-5502 +1-866-476-0000	+1-408-547-5501 +1-866-497-0000
<a href="http://www.arista.com">www.arista.com</a>	<a href="mailto:support@arista.com">support@arista.com</a>	<a href="mailto:sales@arista.com">sales@arista.com</a>

© Copyright 2023 Arista Networks, Inc. All rights reserved. The information contained herein is subject to change without notice. The trademarks, logos and service marks ("Marks") displayed in this documentation are the property of Arista Networks in the United States and other countries. Use of the Marks are subject to Arista Network Terms of Use Policy, available at [www.arista.com/en/terms-of-use](http://www.arista.com/en/terms-of-use). Use of marks belonging to other parties is for informational purposes only.

# Contents

- Chapter 1: Overview.....1**
  - 1.1 Scope.....1
  - 1.2 Receiving and Inspecting the Equipment.....1
  - 1.3 Installation Process.....1
  - 1.4 Safety Information.....2
  - 1.5 Obtaining Technical Assistance.....2
  - 1.6 Specifications.....2
  
- Chapter 2: Preparation.....4**
  - 2.1 Site Selection.....4
  - 2.2 Tools and Parts Required for Installation.....5
  - 2.3 Electrostatic Discharge (ESD) Precautions.....5
  
- Chapter 3: Rack Mounting the Router.....7**
  - 3.1 Four-post Rack Mount.....7
    - 3.1.1 Attaching Mounting Brackets to the Chassis.....8
    - 3.1.2 Assembling the Rails onto the Equipment Rack.....9
    - 3.1.3 Attaching the Router to the Rack.....11
    - 3.1.4 Removing the Mounting Bracket from the Chassis.....11
  - 3.2 Two-post Rack Mount (Optional).....12
    - 3.2.1 Attaching Mounting Brackets to the Chassis (Two-post).....12
    - 3.2.2 Inserting the Router into Rack.....13
  
- Chapter 4: Status Indicators.....15**
  
- Chapter 5: Cable the Router.....16**
  - 5.1 Grounding the Router.....16
  - 5.2 Connecting Power Cables.....18
    - 5.2.1 AC Power Supplies.....18
  - 5.3 Connecting Serial and Management Cables.....19
  
- Chapter 6: Configuring the Router.....20**
  
- Chapter 7: Parts List.....22**
  
- Chapter 8: Front Panel.....24**
  - 8.1 Arista 5310 Enterprise WAN Router.....24
  - 8.2 Arista 5510 Enterprise WAN Router.....25
  
- Chapter 9: Rear Panel.....26**
  - 9.1 Arista 5310 Enterprise WAN Router.....26

9.2 Arista 5510 Enterprise WAN Router.....	26
<b>Chapter 10: Arista 5310 Enterprise WAN Router Interface Configuration and Behavior.....</b>	<b>28</b>
<b>Chapter 11: Arista 5510 Enterprise WAN Router Interface Configuration and Behavior.....</b>	<b>32</b>
<b>Chapter 12: LCD Operation.....</b>	<b>36</b>
<b>Appendix A: Regulatory Model Numbers.....</b>	<b>39</b>
<b>Appendix B: Taiwan RoHS Information.....</b>	<b>40</b>

## Overview

---

This guide is intended for network professionals who need to install the Arista 5000 Series Enterprise WAN Routers.

The following topics are covered in this section:

- [Scope](#)
- [Receiving and Inspecting the Equipment](#)
- [Installation Process](#)
- [Safety Information](#)
- [Obtaining Technical Assistance](#)
- [Specifications](#)

### 1.1 Scope

This section lists the routers that are described in this guide:

- Arista 5310 Enterprise WAN Router
- Arista 5510 Enterprise WAN Router



**CAUTION:** Only qualified or trained personnel should install, service, or replace this equipment.

Seul le personnel qualifié doit installer, service, ou remplacer cet équipement.

### 1.2 Receiving and Inspecting the Equipment

Upon receiving the router, inspect the packaging and record if there is any external damage. Retain the packing material if you suspect that any part of the shipment is damaged; the carrier might need the packing material to inspect.

If the packaging was not damaged during transit, unpack each box carefully. Ensure that you do not discard any accessories that may be packed in the same box as the router.

Review the packing list that comes with the router to ensure you have received all the items listed. Refer to the [Parts List](#) to verify that all components are included.

### 1.3 Installation Process

This section describes the steps required to install and use the router in a Data Center environment:

1. Select and prepare the installation site. ([Site Selection](#))
2. Assemble the installation tools listed. ([Tools and Parts Required for Installation](#))
3. Attach the mounting brackets and install the router in an equipment rack. ([Rack Mounting the Router](#))
4. Connect the router to the power source, console cables, and management network. ([Cable the Router](#))
5. Configure the router. ([Configuring the Router](#))

---

## 1.4 Safety Information

Refer to the Arista Networks document Safety Information and Translated Safety Warnings available at <https://www.arista.com/en/support/product-documentation>.



**Important:** Class 1 laser product: This product has provisions to install Class 1 laser transceivers which provide optical coupling to the communication network. Once a Class 1 laser product is installed, the equipment is a Class 1 laser product (Appareil à Laser de Classe 1). The customer is responsible for selecting and installing the Class 1 laser transceiver and for ensuring that the Class 1 AEL (allowable emission limit) per EN/IEC 60825, CSA E60825-1, and Code of Federal Regulations 21 CFR 1040 is not exceeded after the laser transceiver has been installed. Do not install laser products whose class rating is greater than 1. Refer to all safety instructions that accompanied the transceiver prior to installation. Only Class 1 laser devices certified for use in the country of installation by the cognizant agencies are to be utilized in this product. Ultimate disposal of this product should be in accordance with all applicable laws and regulations.

Produit laser de classe 1: Ce produit a des dispositions pour installer des émetteurs-récepteurs de laser de classe 1 qui offre de couplage au réseau de communication optique. Une fois un produit laser de classe 1 est installé, l'équipement est un produit laser de classe 1 (Appareil à laser de Classe 1). Le client est responsable pour sélectionner et installer l'émetteur/récepteur de laser de classe 1 et pour assurer que la classe 1 AEL (limite d'émission admissible) par EN/IEC 6-825, CSA E60825-1, et Code des règlements fédéraux 21 CFR 1040 ne soit pas dépassée après avoir installé l'émetteur/récepteur de laser. Ne pas installer des appareils à laser dont la cote de classe est supérieure à 1. Voir toutes les consignes de sécurité qui ont accompagné l'émetteur-récepteur avant l'installation. Seuls appareils laser de classe 1 certifiés pour une utilisation dans le pays d'installation par l'organisme compétent doivent être utilisées dans ce produit.



**Important:** DO NOT open the case of the router. There are NO user serviceable parts inside. Entrust any repair to a qualified technician.

N'ouvrez PAS le boîtier du routeur. Il n'y a AUCUNE pièce réparable par l'utilisateur à l'intérieur. Confiez toute réparation à un technicien qualifié.

## 1.5 Obtaining Technical Assistance

Any customer, partner, reseller, or distributor holding a valid Arista Service Contract can obtain technical support in any of the following ways:

- **Email:** [support@arista.com](mailto:support@arista.com)

Include a detailed description of the problem and the output of “show tech-support”.

- **Web:** <https://www.arista.com/en/support>

A support case may be created through the support portal on our website. You may also download the most current software and documentation, as well as view FAQs, Knowledge Base articles, Security Advisories, and Field Notices.

- **Phone:** +1 866-476-0000 or +1 408-547-5502

## 1.6 Specifications

This section lists the specifications of the Arista 5000 Series Enterprise WAN Routers.

**Table 1: Dimensions and Weights**

Router	Size (W x H x D)	Weight
AWE-5310-2F-FLX	17.32 x 1.71 x 16.92 inches (440 x 43.5 x 430 mm)	20.5 lbs (9.3 kg)
AWE-5510-2F-FLX	17.32 x 3.46 x 20.47 inches (440 x 88 x 520 mm)	29.98 lbs (13.6 kg)

**Table 2: Operating and Storage Temperature**

Router	Operating Temperature	Storage Temperature	Operating Altitude	Relative Humidity
AWE-5310-2F-FLX	32° to 104°F (0° to 40°C)	-13° to 158°F (-25° to 70°C)	0 to 10,000 feet (0 to 3,000 meters)	5 to 95% (non-condensing)
AWE-5510-2F-FLX	32° to 104°F (0° to 40°C)	-13° to 158°F (-25° to 70°C)	0 to 10,000 feet (0 to 3,000 meters)	5 to 95% (non-condensing)

**Table 3: Power Input**

Router	Power Source	Input Power Rating
AWE-5310-2F-FLX	Power Input (AC Power)	100-240VAC, 8-4A, 50/60 Hz
AWE-5510-2F-FLX	Power Input (AC Power)	100-240VAC, 10-5A, 50/60 Hz

**Table 4: Power Draw**

Router	Power Draw (Typical/Maximum)	Supported Power Supply
AWE-5310-2F-FLX	100W/500W	AWE-5300-550-A-PS/ PWR-00619-01
AWE-5510-2F-FLX	200W/750W	AWE-5500-800-A-PS/ PWR-00618-01

**Table 5: System Configurations**

Router	Airflow	Power Supply	Fan	Fan Type
AWE-5310-2F-FLX	Front to rear	2	4+1	Fixed/built-in
AWE-5510-2F-FLX	Front to rear	2	3+1	AWE-5500-A-FAN

## Preparation

This section describes the initial setup and preparation for installing the Arista 5310 and 5510 Enterprise WAN Routers.

The following topics are covered in this section:

- [Site Selection](#)
- [Tools and Parts Required for Installation](#)
- [Electrostatic Discharge \(ESD\) Precautions](#)

### 2.1 Site Selection

The following criteria should be considered when selecting a site to install the router in a Data Center environment:

- **Temperature and Ventilation:** For proper ventilation, install the router where there is ample airflow to the front and back of the router.

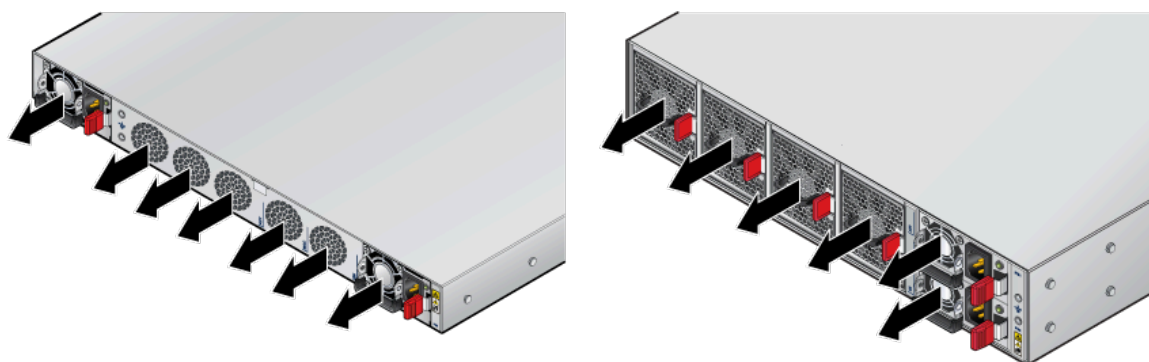


**Important:** To prevent the device from overheating, do not operate it in an area where the ambient temperature exceeds 104°F (40°C).

Pour empêcher l'interrupteur de surchauffe, ne pas utiliser il dans une zone où la température ambiante est supérieure à 104°F (40°C).

- **Airflow Orientation:** The fans and PSUs determine the airflow direction through the router. The color of the visible handles or labels indicates the airflow direction.
- **Red Handle:** Red handle represents the air exit module. The following figure shows the airflow direction through the router with an air exit module.

**Figure 2-1: Air Exit Modules**



Orient the router such that the airflow through the router is from the cooler to the hotter aisle.

- **Rack Space:** Install the router in a 19" rack or cabinet. The accessory kit provides mounting brackets for two-post and four-post racks.

When mounting the router in a partially filled rack, load the rack from bottom to top, with the heaviest equipment at the bottom. Load the router at the bottom if it is the only item in the rack.



- **Power Requirements:** Power requirements vary by each router and power supply model. Refer to [Specifications](#) for information regarding your specific system.

Refer to [Cable the Router](#) section for power cable requirements.



**Important:** The power input plug-socket combination must be accessible at all times as it also provides the primary method of disconnecting power from the system.

La combinaison de la puissance-prise d'entrée doit être accessible en tout temps; Il fournit le principal moyen de coupure d'alimentation du système.



**Important:** All power connections must be removed to de-energize the device.

Toutes les connexions d'alimentation doivent être enlevées pour hors tension l'appareil.

- **Other Requirements:** Select a site where liquids or objects cannot fall onto the equipment and foreign objects are not drawn into the ventilation holes. Verify the following guidelines are met:
  - Clearance areas to the front and rear panels allow for unrestricted cabling.
  - All front and rear panel indicators can be easily read.
  - Power cords can reach from the power outlet to the connector on the rear panel.

## 2.2 Tools and Parts Required for Installation

Each router comes with an accessory kit that contains [parts](#) that are required to install. In addition to the accessory kit, the following tools are required to install the router:

### Four-post Rack

- #1 and #3 Phillips head screwdrivers (this may differ based on supplied accessories)
- Screws or rack-mounting nuts and bolts

### Two-post Rack

- #1 and #3 Phillips head screwdrivers (this may differ based on supplied accessories)
- Screws or rack-mounting nuts and bolts

The accessory kit should include screws for attaching the router into an equipment rack. When installing the router to an equipment rack with unthreaded post holes, nuts and bolts are also required to secure the router to the rack posts.

## 2.3 Electrostatic Discharge (ESD) Precautions

Observe these guidelines to avoid ESD damage when installing or servicing the router:



**Important:** DO NOT open the case of the router. There are NO user serviceable parts inside. Entrust any repair to a qualified technician.

N'ouvrez PAS le boîtier du routeur. Il n'y a AUCUNE pièce réparable par l'utilisateur à l'intérieur. Confiez toute réparation à un technicien qualifié.

- Assemble or disassemble the equipment only in a static-free work area.
- Use a conductive work surface (such as an anti-static mat) to dissipate static charge.
- Wear a conductive wrist strap to dissipate static charge accumulation.
- Minimize handling of assemblies and components.
- Keep replacement parts in their original static-free packaging.
- Remove all plastic, foam, vinyl, paper, and other static-generating materials from the work area.
- Use tools that do not create ESD.

## Rack Mounting the Router

This section provides the instructions to rack mount the router.

The following table shows the list of supported rack mount brackets.

**Table 6: Supported Rack Mount Brackets**

Router	Two-post Rack Mount	Four-post Rack Mount
AWE-5310-2F-FLX	KIT-2POST-1U-NT	KIT-4POST-NT (default) KIT-7101-RK KIT-7101-LD-RK
AWE-5510-2F-FLX	KIT-2POST	KIT-4POST-NT (default) KIT-7101-RK KIT-7101-LD-RK

The following topics are covered in this section:

- [Four-post Rack Mount](#)
- [Two-post Rack Mount \(Optional\)](#)



**Note:** Four-post rack mount is recommended for all routers. Use the rack-mount parts included with the router for mounting.

### 3.1 Four-post Rack Mount

This section provides instructions for mounting the router in a four-post rack.

The router is mounted onto a four-post rack by assembling two rails onto the rear posts, sliding the router onto the rails, then securing the router to the front posts.

The installation kit provides the following four-post mounting parts:

- Two six-hole mounting brackets
- Two rail rods
- Two rail slides

The rail rods and rail slides assemble into two identical slide rails.

Each chassis side has attachment pins that align with bracket holes. Pin orientation is symmetric and equidistant, supporting bracket placements where the flange is flush with the front panel, flush with the rear panel, or not flush with either panel. Each bracket hole includes a key-opening for placing the bracket flush with the chassis and then locking it into place.

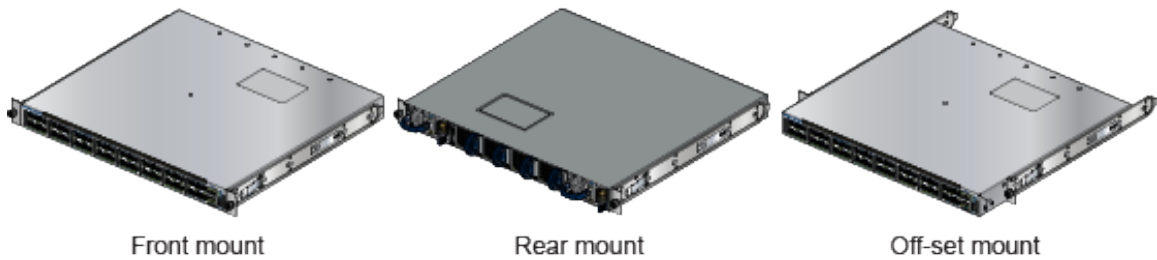


**Important:** Attachment pins must engage at least five of the six bracket holes.

Goupilles de fixation doivent être lock au moins cinq des trous du six support.

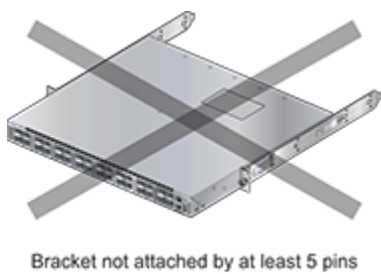
The following figure displays proper bracket mount configuration examples for four-post mounting.

**Figure 3-1: Bracket Mount Configuration for Four-post Rack Mount (Example)**



The following figure displays an improper bracket mount configuration example.

**Figure 3-2: Improper Bracket Mount Configuration for Four-post Rack Mount (Example)**



The following topics are covered in this section:

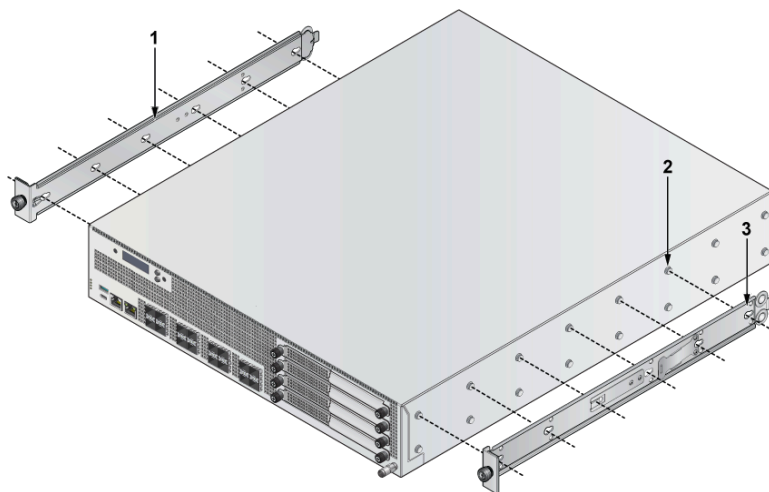
- [Attaching Mounting Brackets to the Chassis](#)
- [Removing the Mounting Bracket from the Chassis](#)

### 3.1.1 Attaching Mounting Brackets to the Chassis

This section describes the steps to attach mounting brackets to the chassis.

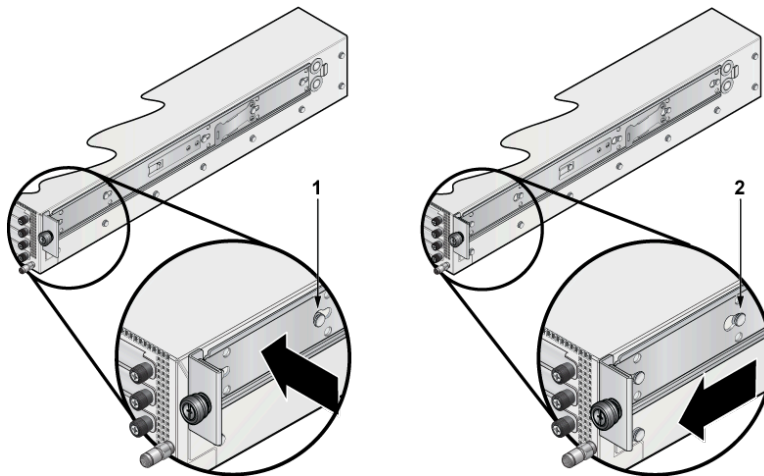
The following figure displays the front bracket alignment for mounting the router into a four-post rack.

**Figure 3-3: Attaching the Mounting Brackets to the Router Chassis**



- 1 Mounting bracket
- 2 Rack plugs

- 3 Rail flanges

**Figure 3-4: Aligning the Rack Plugs to the Bracket Clip**

1 Bracket clip before it is locked in the specified place.

2 Bracket clip after it is locked in the specified place.

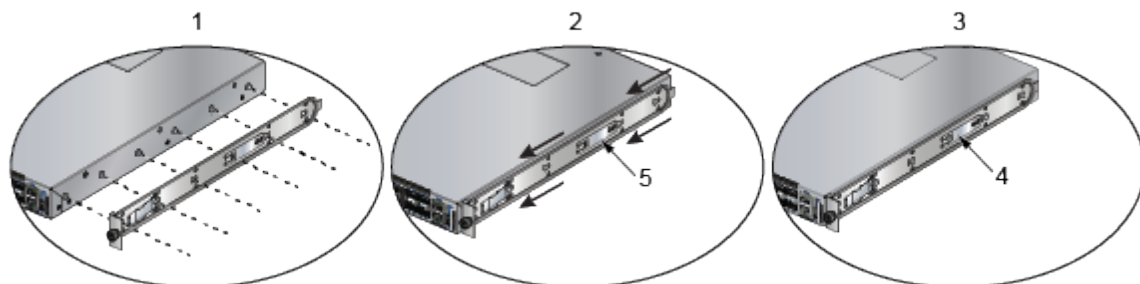
1. Align the mounting brackets with the attachment pins to obtain the desired mounting position.
2. Place the bracket flush to the chassis with the attachment pins protruding through the key openings.
3. Slide the bracket toward the front flange until the bracket clip locks with an audible click.

To remove the mounting bracket from the chassis, lift the front edge of the mounting bracket clip with a flat-head screwdriver and slide the bracket away from the front flange (opposite from the installation direction).

### 3.1.2 Assembling the Rails onto the Equipment Rack

Rail rods and rail slides assemble into two identical rails. Each rail connects a front post to a rear post. When the rails are installed, the router slides on the rails into the rack. Each bracket includes a screw that attaches the router to the rail.

Each end of an assembled rail contains two rack plugs. The rails are installed into a rack by inserting the plugs into rack slots. When installing rails into rack posts with threaded or rounded holes, remove all plugs located on both sides of the assembled rails, then install the rails with bolts that fit the rack.

**Figure 3-5: Attaching the Four-Post Mounting Brackets to the Router Chassis**

1 Attach rail slide to router

2 Slide rail rod onto rail slide

3 Attach bracket clip

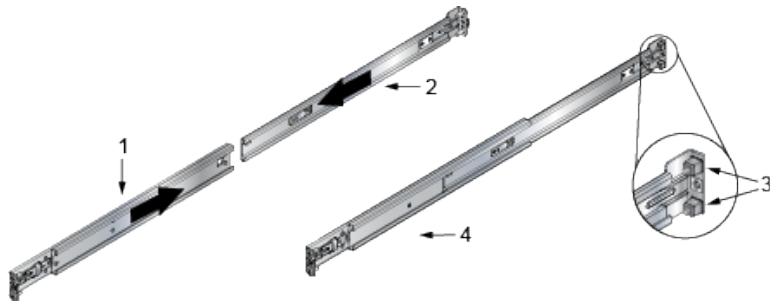
4 Bracket clip (attached)

5 Bracket clip (aligned)

1. Slide a rail rod into a rail slide until the rail clip makes an audible click.

The rail clip prevents the extension of the rail beyond the maximum supported distance between the front and rear rack posts.

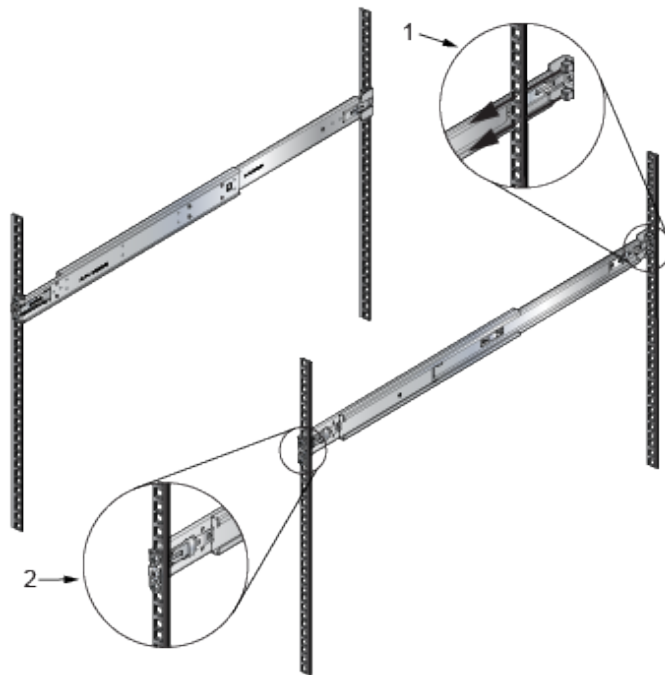
**Figure 3-6: Assembling the Rails**



- |              |                    |
|--------------|--------------------|
| 1 Rail slide | 3 Rack plugs       |
| 2 Rail rod   | 4 Rail (assembled) |

2. Attach the rail to the right rear rack post by inserting rod-end rack plugs into post slots. The slide assembly must be on the side of the post facing the router.  
If the rack plugs were previously removed, use bolts to attach the rail to the rack.
3. Attach the slide end of the rail to the front post by extending the rail end past the post, then contracting the rail while guiding the rack plugs into the post.
4. Repeat **Step 1** through **Step 3** for the left posts. Ensure the rails are on the same horizontal level.

**Figure 3-7: Attaching the Rails**



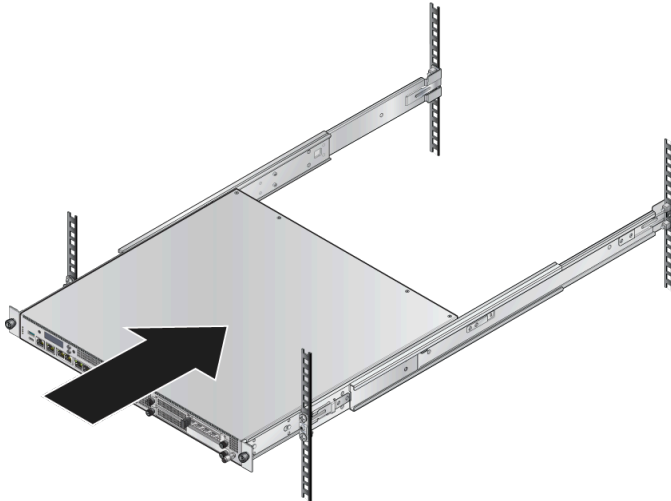
- |           |           |
|-----------|-----------|
| 1 Inset A | 2 Inset B |
|-----------|-----------|

### 3.1.3 Attaching the Router to the Rack

Once the rails are installed, the router slides into the rack. Each bracket includes a thumb screw that attaches the router to the rail.

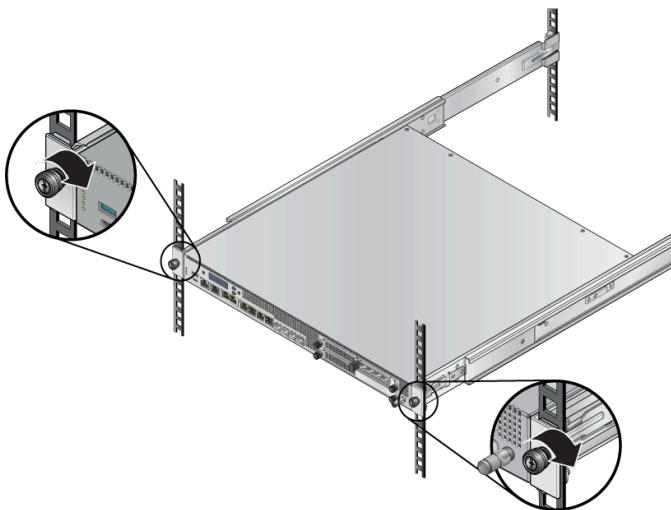
1. Lift the router into the rack and insert the mounting brackets into the slide rails.

**Figure 3-8: Inserting the Router onto the Rails**



2. Slide the router on the rails, toward the rear posts, until the mounting bracket flanges are flush with the rail flanges attached to the rack posts.
3. Attach the bracket flanges to the rack post using the quick-release thumb screws supplied with the brackets.

**Figure 3-9: Attaching the Router to the Rack Posts**



After completing the four-post rack mount, proceed to [Cable the Router](#) section.

### 3.1.4 Removing the Mounting Bracket from the Chassis

This section describes the steps to remove the mounting brackets from the router chassis.

1. Lift the front edge of the mounting bracket clip with a flat-head screwdriver.
2. Slide the bracket away from the front flange (opposite from the installation direction).

## 3.2 Two-post Rack Mount (Optional)

This section provides instructions for mounting the router in a two-post rack.

To mount the router onto a two-post rack, assemble the mounting brackets to the chassis, then attach the brackets to the rack posts. Two-post accessory kits include the following two-post mounting parts.

### Two Three-hole Mounting Brackets

Each chassis side has attachment pins that align with bracket holes. Pin orientation is symmetric and equidistant, supporting bracket placements where the flange is flush with the front panel, flush with the rear panel, or not flush with either panel. Each bracket hole includes a key opening for placing the bracket flush with the chassis and then locking it into place.



**Important:** Attachment pins must engage all three upper bracket holes.

Goupilles de fixation doivent être bloquer tous les trois trous de la bride supérieure.

The following topics are covered in this section:

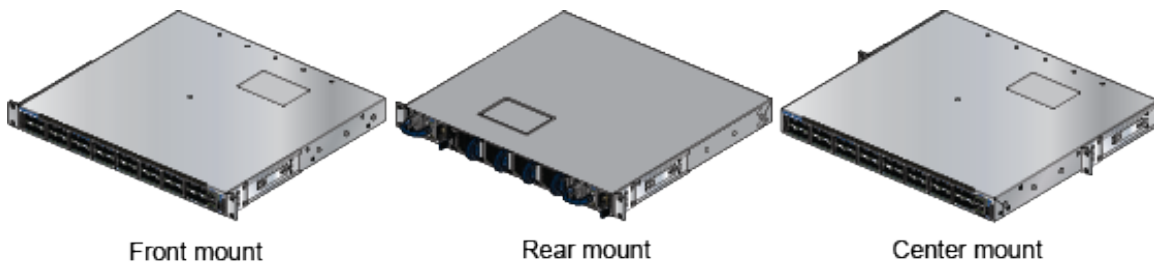
- [Attaching Mounting Brackets to the Chassis \(Two-post\)](#)
- [Inserting the Router into Rack](#)

### 3.2.1 Attaching Mounting Brackets to the Chassis (Two-post)

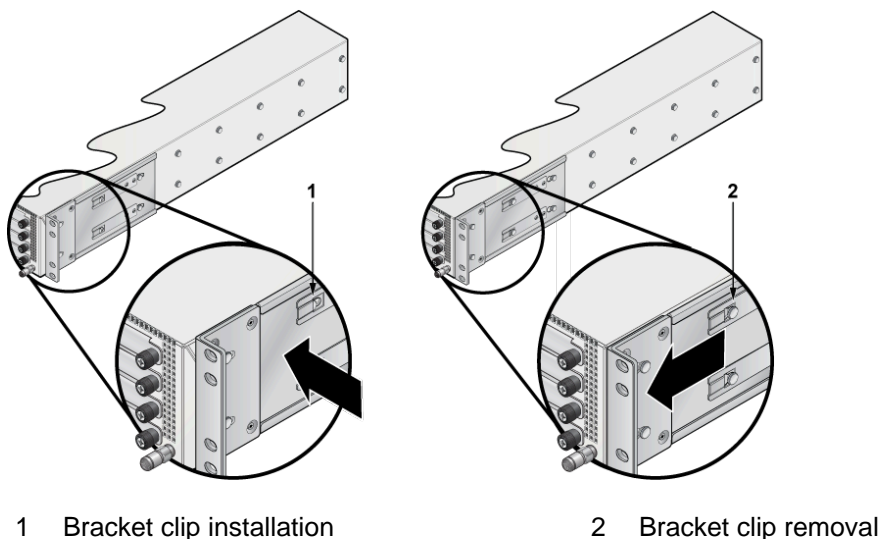
This section describes the steps to attach mounting brackets to the router chassis.

The following figure displays the front bracket alignment for attaching the router to a two-post rack.

**Figure 3-10: Bracket Mount Configuration for Two-post Rack Mount (Example)**

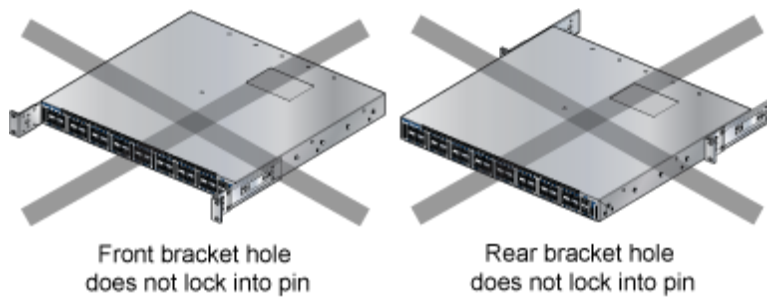


**Figure 3-11: Attaching the Mounting Brackets**



The following figure displays improper bracket mounts for two-post rack mount.

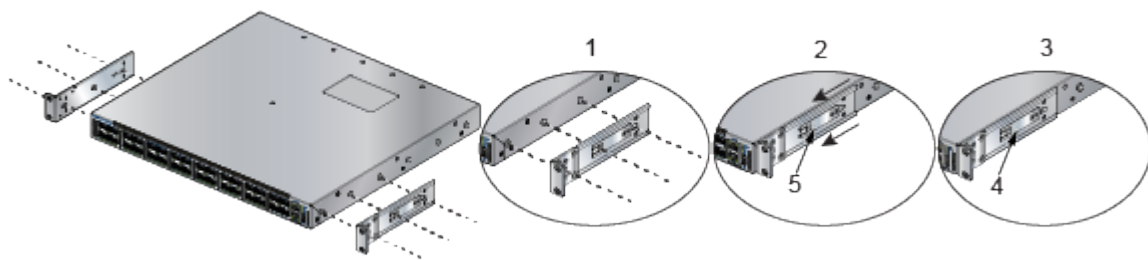
**Figure 3-12: Improper Bracket Mount Configuration for Two-post Rack Mount (Example)**



1. Align the mounting brackets with the attachment pins to obtain the desired mounting position.
2. Place the bracket flush on the chassis with attachment pins protruding through key openings.
3. Slide the bracket toward the front flange until the bracket clip locks with an audible click.

The following figure shows the correct bracket attachment for a front mount.

**Figure 3-13: Attaching the Mounting Brackets to the Router Chassis**



- 1 Align the mounting brackets with the attachment pins to obtain the desired mounting position.
- 2 Place the bracket flush on the chassis with attachment pins protruding through key openings.
- 3 Slide the bracket toward the front flange until the bracket clip locks with an audible click.
- 4 Bracket clip (attached)
- 5 Bracket clip (aligned)

To remove the mounting bracket from the chassis, lift the front edge of the mounting bracket clip with a flat-head screwdriver and slide the bracket away from the front flange (opposite from the installation direction).

### 3.2.2 Inserting the Router into Rack

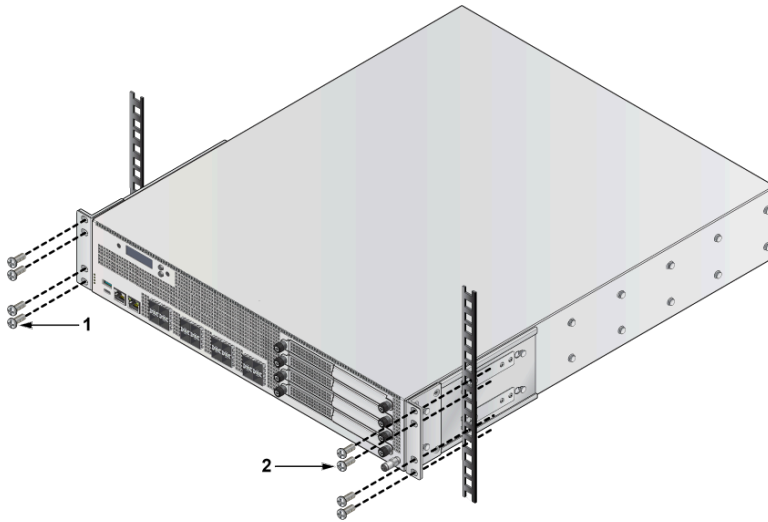
This section describes the steps to insert the router into rack.

1. Lift the chassis, with the brackets attached, into rack.
2. Position the flanges against rack posts.
3. Select mounting screws that fit your equipment rack.



4. Attach the bracket flanges to the rack posts.

**Figure 3-14: Inserting the Router into Rack**



- 1 Attaching chassis securely to rack with the screws (left side)
- 2 Attaching chassis securely to rack with the screws (right side)

## Status Indicators

---

This section describes meaning of the front-panel LED status indicators.

**Table 7: LED Status Indicators**

LED Name	LED State	LED Status
System Status LED	Off	No power or in the midst of a power cycle.
	Blinking green	System is powering up.
	Green	The system is operating in a normal initialization sequence. Normal operations.
	Blue	The locator function is active.
	Amber	System is malfunctioning. System is overheating or temperature sensors have recorded passing the software-defined critical threshold.  The router will automatically execute a reboot/power cycle.
Cloud Connect Status LED	Off	Not connected to CloudVision.
	Green	System is connected to CloudVision.
	Amber	Problem connecting to CloudVision.
Fan Status LED	Green	All fan modules are operating normally.
	Amber	Single fan module is malfunctioning.
Power Supply Status LED	Off	Power supply unit is not available.
	Green	Power supply unit is fully functional.
	Amber	Power supply unit has a fault.

## Cable the Router

The following topics are covered in this section:

- [Grounding the Router](#)
- [Connecting Power Cables](#)
- [Connecting Serial and Management Cables](#)

### 5.1 Grounding the Router

This section provides instructions for grounding the router.

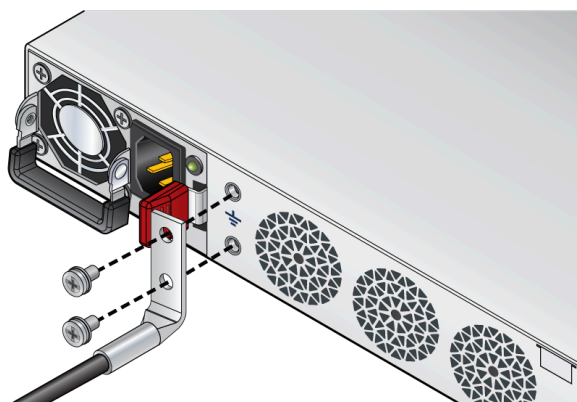


**Note:** Grounding cable and grounding lugs are not included with the router.



**Note:** The cable size should meet local and national installation requirements.

**Figure 5-1: Functional Grounding Pad Sockets 5310 Rear Panel**



**Figure 5-2: Functional Grounding Pad Sockets 5510 Rear Panel**

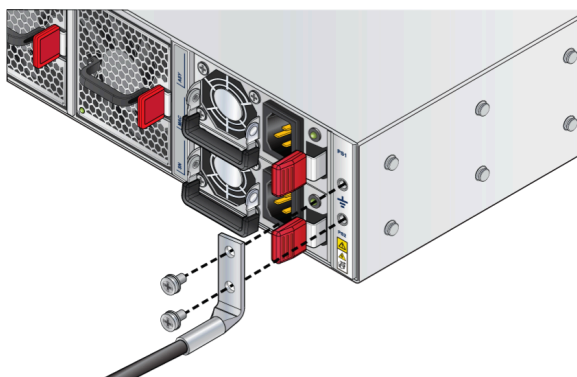
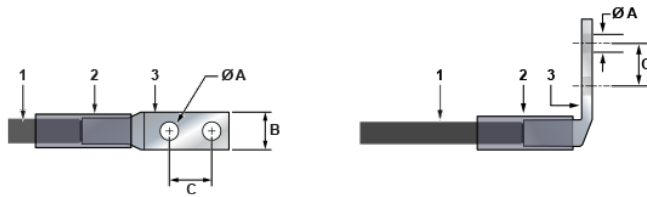


Figure 5-3: Lug Preparation



1	Insulated cable	A	1/4"
2	Heat-shrink tubing	B	1/2"
3	Lug	C	5/8"



**Note:** Dimension B is the width of the lug (not visible on the right-angle lug).



**CAUTION:** The earth connection must not be removed unless all supply connections are disconnected.

1. Ensure the rack is properly grounded and is in compliance with *ETSI EN 300 253*.
2. Ensure that there is a good electrical connection to the grounding point on the rack (no paint or isolating surface treatment).
3. Attach the solder terminal lug to an 18 AWG minimum grounding cable, and connect it to the grounding point on the rear panel of the router.
4. Tighten the screw to secure the lug to the grounding point.
5. Connect the other end of the cable to the nearby grounded surface.

## 5.2 Connecting Power Cables

Power cords for use outside of the United States must be ordered separately. Ensure that the power cord is compliant with local and national electrical codes.

The router accommodates two power supplies. At least one power supply must connect to a power source. Connecting both power supplies provides redundancy protection. [Rear Panel](#) section displays the location of the power supplies on the rear panel of the router.

- **Non-redundant configuration:** Connect power to either of the two power supplies.
- **Redundant power supply configuration:** Connect power to both power supplies.
- **Power down the router:** Remove all power cords and wires from the power supplies.



**Important:** Installation of this equipment must comply with local and national electrical codes. If necessary, consult with the appropriate regulatory agencies and inspection authorities to ensure compliance.

Installation de cet équipement doit être conformes aux codes électriques locaux et nationaux. Si nécessaire, consulter les organismes de réglementation appropriés et des autorités de contrôle pour assurer la conformité.



**Important:** Read all installation instructions before connecting the system to the power source.

Lire toutes les instructions d'installation avant de brancher le système à la source d'alimentation.



**Important:** This equipment must be grounded. Never defeat the ground conductor.

Cet équipement doit être mis à la terre. Ne jamais modifier le conducteur de terre.



**Important:** This unit requires overcurrent protection.

Cet appareil requiert une protection contre les surintensités.

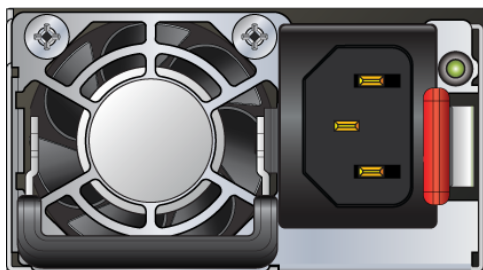
### 5.2.1 AC Power Supplies

The following AC power supplies are supported:

- PWR-00619-01 (AWE-5310)
- PWR-00618-01 (AWE-5510)

The following image displays an AC power supply, including the power socket on the left side of the module. The AC power supply connects to a circuit that provides the required power, as specified in the [Specifications](#) section.

**Figure 5-4: AC Power Supply (Example)**



The power supplies require power cables that comply with IEC-320 and have a C14 connector. The accessory kit provides two IEC-320 C13 to C14 power cables.

## 5.3 Connecting Serial and Management Cables

The accessory kit includes the following cables:

- RJ45 to DB9 serial adapter cable
- RJ45 Ethernet cable

[Table 8: RJ45 to DB9 Connections](#) lists the pin connections of the RJ45 to DB9 adapter cable.

**Table 8: RJ45 to DB9 Connections**

RJ45		DB9			RJ45		DB9	
RTS	1	8	CTS		GND	5	5	GND
DTR	2	6	DSR		RXD	6	3	TXD
TXD	3	2	RXD		DSR	7	4	DTR
GND	4	5	GND		CTS	8	7	RTS

Connect the front or rear panel ports as follows:

- **Console (serial) port:** Connect to a PC with the RJ45 to DB9 serial adapter cable. The router uses the following default settings:
  - 9600 baud
  - No flow control
  - 1 stop bit
  - No parity bits
  - 8 data bits
- **Ethernet management port:** Connect to 10/100/1000 management network with RJ45 Ethernet cable.
- **USB port:** The two USB ports (Type-A and Type-C) may be used for software or configuration updates.



**CAUTION:** Excessive bending can damage interface cables.

Flexion excessive peut endommager les câbles d'interface.

## Configuring the Router

Arista routers ship from the factory in Zero Touch Provisioning (ZTP) mode. ZTP configures the router without user intervention by downloading a startup configuration file or a boot script from a location specified by a DHCP server.

To manually configure an Arista router, bypass ZTP. The initial configuration provides one username (admin) accessible only through the console port because it has no password.

When bypassing ZTP, access the router by logging in as admin, with no password, through the console port. Then you can configure a password for admin and other password-protected usernames.

The manual configuration procedure described below cancels ZTP mode, logs into the router, assigns a password to admin, assigns an IP address to the management port, and defines a default route to a network gateway.

As the router boots without a **startup-config** file, it displays the following through the console:

```
The device is in Zero Touch Provisioning mode and is attempting to
download the startup-config from a remote system. The device will not
be fully functional until either a valid startup-config is downloaded
from a remote system or Zero Touch Provisioning is cancelled. To cancel
Zero Touch Provisioning, login as admin and type 'zerotouch cancel'
at the CLI.
localhost login:
```

1. Connect the router to a power source ([Cable the Router](#)).



**Note:** Arista fixed routers take approximately 5 to 10 minutes to boot completely.

2. Connect the console port to a PC ([Connecting Serial and Management Cables](#)).
3. Log into the router by typing **admin** at the login **prompt**

```
localhost login:admin
```

4. Cancel ZTP mode by typing **zerotouch cancel**



**Important:** This step initiates the router to reboot.

```
localhost>zerotouch cancel
```

5. After the router reboots, log into the router again by typing **admin** at the login prompt.

```
Arista EOS
localhost login:admin
Last login: Fri Mar 15 13:17:13 on console
```

6. Enter global configuration mode.

```
localhost>enable localhost#config
```

7. Assign a password to the admin username with the `username secret` command. In this example, the assigned password is "**pxq123**".

```
localhost (config) #username admin secret pxq123
```

8. Configure a default route to the network gateway. In this example, the default route is 192.0.2.1.

```
localhost (config) #ip route 0.0.0.0/0 192.0.2.1
```

9. Assign an IP address to an Ethernet management-port. In this example, the IP address is 192.0.2.8/24.

```
localhost (config) #interface management 1/1  
localhost (config-if-Ma1/1) #ip address 192.0.2.8/24
```

10. Save the configuration by typing `write memory` or `copy running-config startup-config`.

```
localhost#copy running-config startup-config
```

11. When the management-port IP address is configured, use the following command to access the router from a host, using the address configured in **Step 9**.

```
ssh admin@192.0.2.8
```

Refer to the *Arista Networks User Manual* for the complete router configuration information.



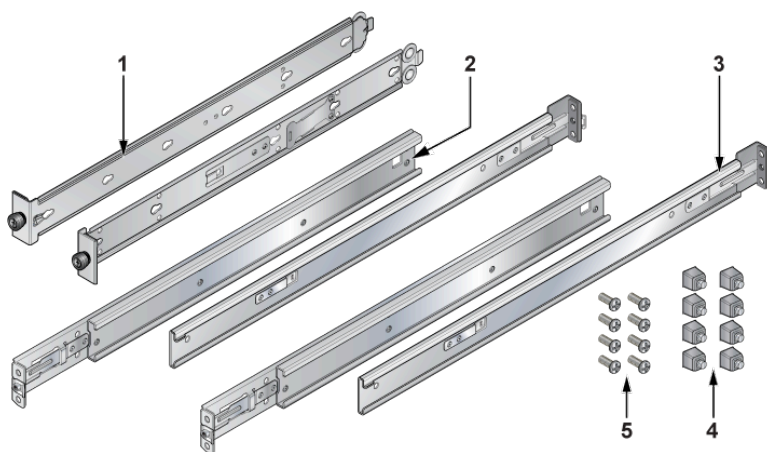
## Parts List

This section lists the default and optional installation parts available in the accessory kit. Each router comes with an accessory kit that contains necessary parts that are required to install the router.

### Four-post Rack Mount

The following accessories are available along with the router:

**Figure 7-1: Four-post Rack Mount Kit Parts**



- |   |                  |   |   |
|---|------------------|---|---|
| 1 | Mounting bracket | 4 | Rack plugs  |
| 2 | Rail slide       | 5 | Screws (for fixing rack plugs to rail rod and rail slide) |
| 3 | Rail rod         |   |   |

- Cables
  - RJ45 Ethernet cable
  - Console cable
- Power cable (country-specific, included only if specified before purchase)

### SKU and Product Details

The following are the SKU numbers and descriptions for the Arista 5000 series routers.

**Table 9: SKU and Product Details**

SKU	Product Description
AWE-5310-2F-FLX	Arista 5310, router, up to 5Gbps IPsec-encrypted throughput, 1 RU, 8x RJ45 ports (w/2x port fail-to-wire) 4x 10G port SFP+, two expansion slots, two replaceable 550-watt power supplies, fixed fans, front-to-rear airflow. Includes FLX license.
AWE-5510-2F-FLX	Arista 5510, router, up to 50Gbps IPsec-encrypted throughput, 2 RU, 8x SFP+ 10G, 8x SFP+ 10G enhanced (Accelerated Cryptographic Processing), four expansion slots, two replaceable 800-watt power supplies, replaceable fans, front-to-rear airflow. Includes FLX license.

## Front Panel

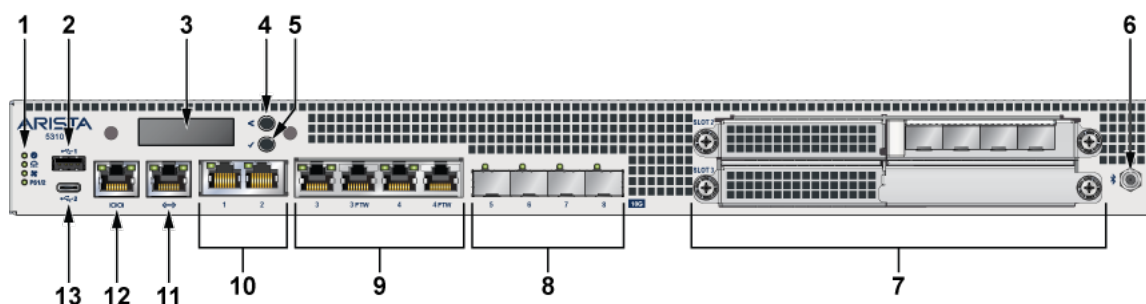
This section describes the front panel of the following routers:

- [Arista 5310 Enterprise WAN Router](#)
- [Arista 5510 Enterprise WAN Router](#)

### 8.1 Arista 5310 Enterprise WAN Router

The Arista 5310 Enterprise WAN Router front panel includes the following key components:

**Figure 8-1: Arista 5310 Enterprise WAN Router Front Panel**

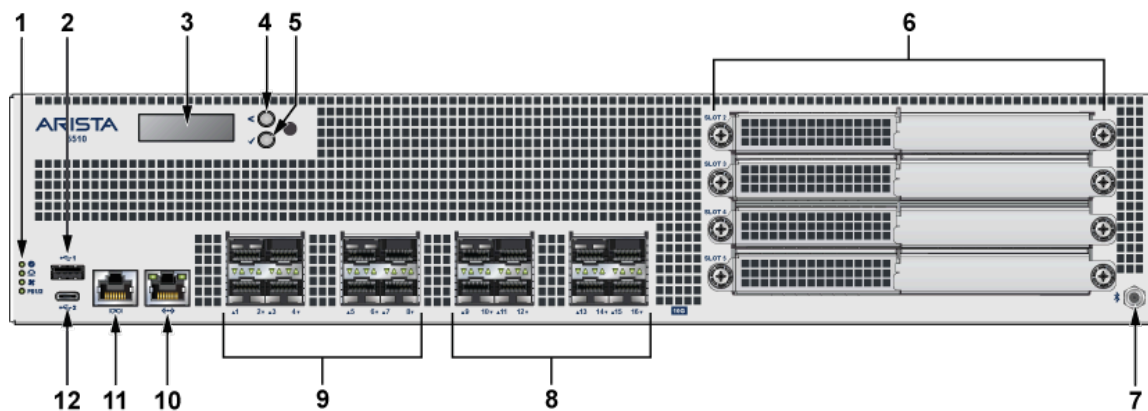


- |   |   |    |  |
|---|---|----|--|
| 1 | System status LEDs                          | 8  | 4x10G SFP+ ports                                   |
| 2 | USB port Type-A                             | 9  | 4x1G/10G RJ45 (2 ports support fail-to-wire (FTW)) |
| 3 | LCD panel                                   | 10 | 2x1G/10G RJ45                                      |
| 4 | LCD upper button                            | 11 | RJ45 Ethernet management port                      |
| 5 | LCD lower button                            | 12 | RJ45 Console port                                  |
| 6 | Bluetooth antenna (BT antenna)              | 13 | USB port Type-C                                    |
| 7 | 2x NIM (Network Interface Module) 3.0 slots |    |  |

## 8.2 Arista 5510 Enterprise WAN Router

The Arista 5510 Enterprise WAN Router front panel includes the following key components:

**Figure 8-2: Arista 5510 Enterprise WAN Router Front Panel**



- |   |   |    |                                |
|---|---|----|--------------------------------|
| 1 | System status LEDs                          | 7  | Bluetooth antenna (BT antenna) |
| 2 | USB port Type-A                             | 8  | 8xSFP+ 10G enhanced            |
| 3 | LCD panel                                   | 9  | 8xSFP+ 10G                     |
| 4 | LCD upper button                            | 10 | RJ45 Ethernet management port  |
| 5 | LCD lower button                            | 11 | Console port                   |
| 6 | 4x NIM (Network Interface Module) 3.0 slots | 12 | USB port Type-C                |

## Rear Panel

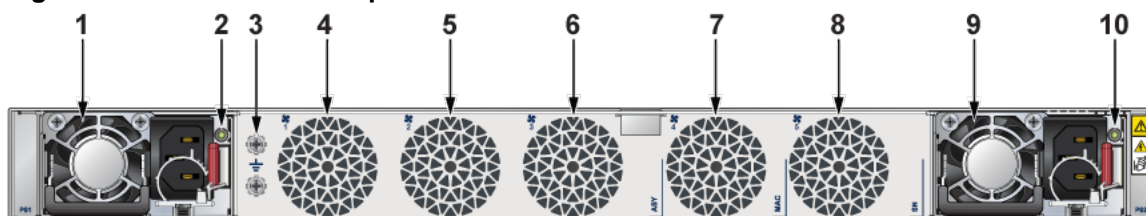
The section describes the rear panel of the following routers.

- [Arista 5310 Enterprise WAN Router](#)
- [Arista 5510 Enterprise WAN Router](#)

### 9.1 Arista 5310 Enterprise WAN Router

The Arista 5310 Enterprise WAN Router rear panel includes the following key components:

**Figure 9-1: Arista 5310 Enterprise WAN Router Rear Panel**

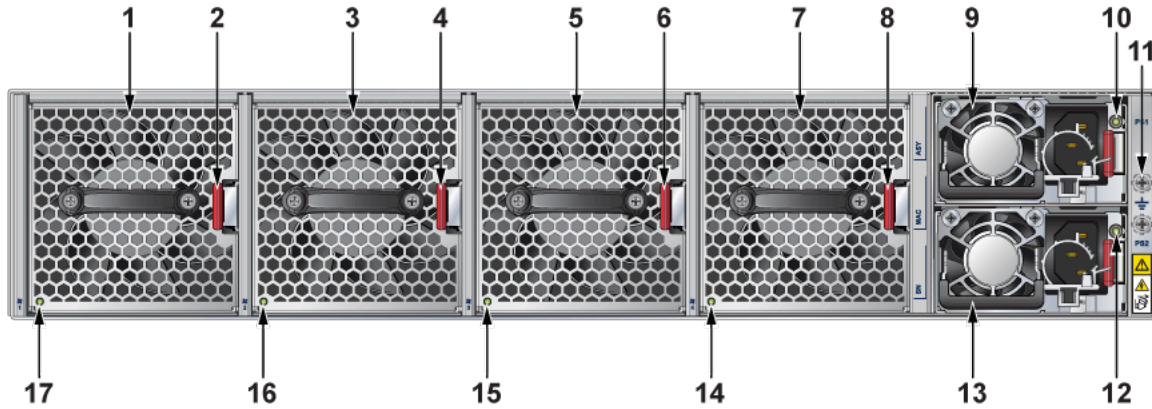


- |   |                            |    |                      |
|---|----------------------------|----|----------------------|
| 1 | Power supply 1 (PS1)       | 6  | Fan 3                |
| 2 | PS1 LED                    | 7  | Fan 4                |
| 3 | Functional grounding point | 8  | Fan 5                |
| 4 | Fan 1                      | 9  | Power supply 2 (PS2) |
| 5 | Fan 2                      | 10 | PS2 LED              |

## 9.2 Arista 5510 Enterprise WAN Router

The Arista 5510 Enterprise WAN router rear panel includes the following key components:

**Figure 9-2: Arista 5510 Enterprise WAN Router Rear Panel**



- |   |                      |    |                            |
|---|----------------------|----|----------------------------|
| 1 | Fan module 1         | 10 | PS1 LED                    |
| 2 | Fan module latch     | 11 | Functional grounding point |
| 3 | Fan module 2         | 12 | PS2 LED                    |
| 4 | Fan module latch     | 13 | Power supply 2 (PS2)       |
| 5 | Fan module 3         | 14 | Fan status LED             |
| 6 | Fan module latch     | 15 | Fan status LED             |
| 7 | Fan module 4         | 16 | Fan status LED             |
| 8 | Fan module latch     | 17 | Fan status LED             |
| 9 | Power supply 1 (PS1) |    |                            |

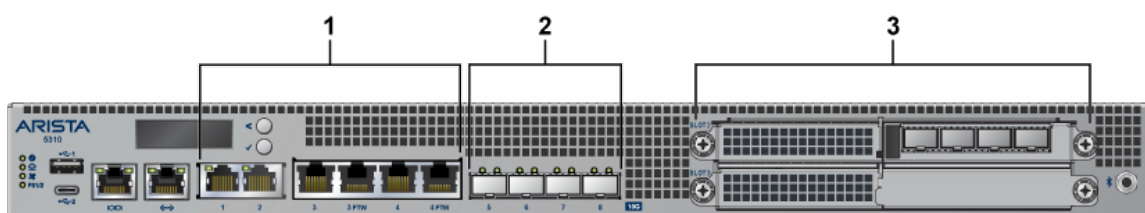
## Arista 5310 Enterprise WAN Router Interface Configuration and Behavior

This section describes the front panel ports of the Arista 5310 Enterprise WAN Router from a physical layer perspective. This section includes the following topics:

- [Hardware Description](#)
- [Interface Capabilities](#)
- [Speed Configuration](#)
- [Show Commands for Speed and Auto-negotiation Capabilities](#)
- [Supported Transceivers](#)

### Hardware Description

Figure 10-1: Arista 5310 Enterprise WAN Router Front Panel



Refer to the [Arista 5310 Enterprise WAN Router](#) section for detailed information.

The Arista 5310 Enterprise WAN Router provides 5 Gbps Encrypted / 30 Gbps aggregate throughput and has 4xRJ45 (1/2.5 G/10G) Ethernet ports, 2x fail-to-wire (FTW) port and 4x SFP+ (1/2.5G/10G) Ethernet ports, and 2x Network Interface Module (NIM) expansion slots. The ports are labeled as 1, 2, 3, 3 FTW, 4, 4 FTW, 5, 6, 7, and 8.

In the EOS CLI, all the on-board ports have the prefix 1 (Et1/X, X from 1-8) to indicate they are on the main system, rather than the pluggable NIM cards.

Label	Port Number	Port Type	EOS Interface
1	1, 2, 3, 4	RJ45	Et1/1, Et1/2, Et1/3, Et1/4
	3FTW, 4FTW	Fail-to-wire	
2	5, 6, 7, 8	SFP+	Et1/5, Et1/6, Et1/7, Et1/8
3	Slot 2, Slot 3	Network Interface Module (NIM)	

### Interface Capabilities

This section describes interface capabilities such as speed and Forward Error Correction (FEC). For additional information, see the EOS User's Guide. These capabilities are displayed with the following command:

```
show interfaces <INTF> hardware default
```

The speed/auto-negotiation depends on the MAC/PHY capabilities, the front panel connector, and the type of transceiver inserted. The default capabilities of the Arista 5310 Enterprise WAN Router are as follows:

Ports	Speed	Auto-negotiation
RJ45 (Et1/1-Et1/4)	1G/2.5G/5G/10G full duplex	1G/2.5G/5G/10G full duplex
SFP (Et1/5-Et1/8)	1G/10G	1G/10G full duplex 1G full duplex

When a transceiver is inserted, EOS recognizes the transceiver type. To see which types of transceivers are supported, refer to the [Supported Transceivers](#). EOS decides the capable speed/auto-negotiation satisfied by both the hardware and the modules. To view the show commands and example outputs, refer to the [Show Commands for Speed and Auto-negotiation Capabilities](#).

When there is no speed configuration on the interface, EOS applies the default speed. On an RJ45 port, the default configuration is auto-negotiation enabled with 10G. On an SFP port, the default configuration is auto-negotiation disabled with 10G.

### Speed Configuration

This section describes the configuration of interface speed and auto-negotiation.

Interface speed and auto-negotiation are configured using the **speed** *speed-lane-token* command as shown in the following examples:

To configure 10G speed with auto-negotiation disabled:

```
Arista(config-if-Et1/1)#speed 10g
```

To configure 1G speed with auto-negotiation disabled:

```
Arista(config-if-Et1/1)#speed 1g
```

To configure 10G speed with auto-negotiation enabled:

```
Arista(config-if-Et1/1)#speed auto 10gfull
```

To configure 5G speed with auto-negotiation enabled:

```
Arista(config-if-Et1/1)#speed auto 5gfull
```

To configure 2.5G speed with auto-negotiation enabled:

```
Arista(config-if-Et1/1)#speed auto 2.5gfull
```

To configure 1G speed with auto-negotiation enabled:

```
Arista(config-if-Et1/1)#speed auto 1gfull
```

To remove speed configuration:

```
Arista(config-if-Et1/1)#no speed
```



**Note:** If the selected speed and auto-negotiation combination is unsupported (either based on the inserted transceiver or due to the interface capabilities), the interface is put into an error-disabled state with “speed-misconfigured” as the cause.



Use the following show command to check whether interfaces are connected, not connected, or error-disabled:

```
Arista(config)#show interfaces status
Port      Name      Status      Vlan      Duplex  Speed  Type      Flags Encapsulation
Et1/1     Name      connected   routed    full    10G    10GBASE-T
Et1/2     connected routed       full    10G    10GBASE-T
Et1/3     connected routed       full    10G    10GBASE-T
Et1/4     connected routed       full    10G    10GBASE-T
Et1/5     connected routed       full    10G    10GBASE-CR
Et1/6     connected routed       full    10G    10GBASE-CR
Et1/7     connected routed       full    10G    10GBASE-CR
Et1/8     errdisabled routed      full    100G   10GBASE-CR
```

Use the following show command to display why an interface is error-disabled:

```
Arista(config)#show interfaces Et1/8 status errdisabled
Port      Name      Status      Reason
-----
Et1/8     errdisabled speed-misconfigured
```

When a transceiver is in an error-disabled state due to a misconfigured speed, the following syslog message is logged:

```
bessd[4392]: %ETH-4-LINKMODEUNSUPPORTED: Unsupported link mode 100G/full for
interface Ethernet1/8
Ebra: %ETH-4-ERRDISABLE: speed-misconfigured error detected on Ethernet1/8.
```

### Show Commands for Speed and Auto-negotiation Capabilities

Supported speed and auto-negotiation are displayed by the following command when the transceiver is inserted:

```
show interfaces <INTERFACES> hardware
```

#### RJ45 port output:

```
Arista(config)#show interfaces Et1/1 hardware Ethernet1/1
Model: AWE-5310
Type: 10GBASE-T
Speed/duplex: 1G/full,2.5G/full,5G/full,10G/full,auto(default)
Flowcontrol: rx-(off),tx-(off)
Error correction: unsupported
```

#### SFP port output:

```
Arista(config)#show interfaces Et1/5 hardware Ethernet1/5
Model: AWE-5310
Type: 10GBASE-CR
Speed/duplex: 10G/full(default)
Flowcontrol: rx-(off),tx-(off)
Error correction: unsupported
```

### Supported Transceivers

The on-board SFP ports support a wide range of 1G and 10G pluggable transceivers.

- CAB-SFP-SFP (10GBASE-CR)
- AOC-S-S-10G (10GBASE-AOC)
- SFP-10G-SRL
- SFP-10G-SR

- SFP-10G-LRL
- SFP-10G-LR
- SFP-10G-ER
- SFP-10G-ZR
- SFP-10G-DZ (10GBASE-DWDM)
- SFP-SFP-10G-T
- SFP-1G-SX
- SFP-1G-LX
- SFP-1G-T

For details about the different transceiver modules and cables, visit <https://www.arista.com/en/products/transceivers-cables>.

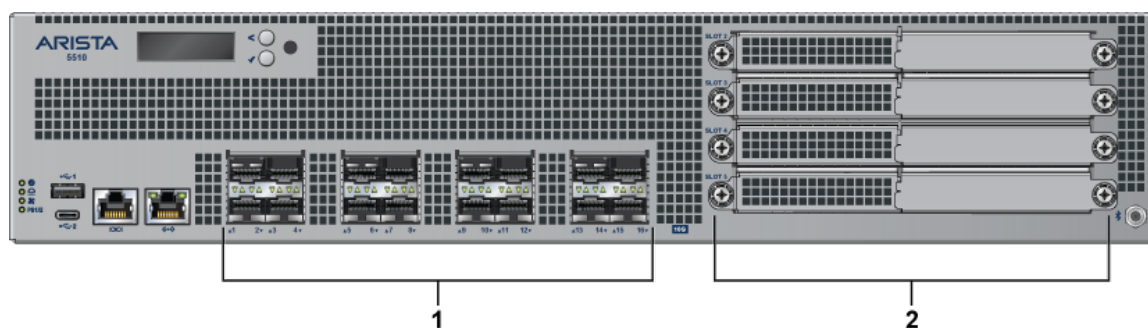
## Arista 5510 Enterprise WAN Router Interface Configuration and Behavior

This section describes the front panel ports of the Arista 5510 Enterprise WAN router from a physical layer perspective. This section includes the following topics:

- [Hardware Description](#)
- [Interface Capabilities](#)
- [Speed Configuration](#)
- [Show Commands for Speed and Auto-negotiation Capabilities](#)
- [Supported Transceivers](#)
- [Transceiver Configuration Command Support](#)
- [Front Panel Port LEDs](#)

### Hardware Description

Figure 11-1: Arista 5510 Enterprise WAN Router Front Panel



Refer to the [Arista 5510 Enterprise WAN Router](#) section for detailed information.

The Arista 5510 Enterprise WAN Router provides 50 Gbps Encrypted / 100 Gbps aggregate throughput and has 16x 10G Ethernet ports (SFP+), and 4x Network Interface Module (NIM) expansion slots. The ports are labeled as 1 through 16.

In the EOS CLI, all the onboard ports have the prefix 1 (Et1/X, X from 1-16) to indicate that they are on the main system rather than the pluggable NIM cards.

Label	Port Number	Port Type	EOS Interface
1	1, 2, 3, 4, 5, 6, 7, 8, 9, 10, 11, 12, 13, 14, 15, 16	SFP+	Et1/1, Et1/2, Et1/3, Et1/4, Et1/5, Et1/6, Et1/7, Et1/8, Et1/9, Et1/10, Et1/11, Et1/12, Et1/13, Et1/14, Et1/15, Et1/16
2	Slot 2, Slot 3, Slot 4, Slot 5	Network Interface Module (NIM)	

## Interface Capabilities

This section describes interface capabilities. These capabilities are displayed using the following command:

```
show interfaces <INTF> hardware default
```

Interface speed and auto-negotiation depend on the mac/phy capabilities, the front panel connector, and the type of transceiver inserted. The default capabilities of the Arista 5510 Enterprise WAN Router are as follows:

Ports	Speed	Auto-negotiation
Port 1-8	1G/10G	1G full 1G full duplex
Port 9-16	1G/10G	1G/10G full duplex 1G full duplex

When a transceiver is inserted, EOS recognizes the transceiver type. To see which types of transceivers are supported, refer to the [Supported Transceivers](#). If the transceiver is supported, EOS decides the capable speed and auto-negotiation satisfied by both the hardware and the modules. To view the show commands and examples output, refer to [Show Commands for Speed and Auto-negotiation Capabilities](#).

When there is no speed configuration on the interface, EOS applies the default speed. On an RJ45 port, the default configuration is auto-negotiation, enabled with 10G. On an SFP port, the default configuration is auto-negotiation, disabled with 10G.

## Speed Configuration

Refer to [Arista 5310 Enterprise WAN Router Interface Configuration and Behavior](#).

## Show Commands for Speed and Auto-negotiation Capabilities

Supported speed and auto-negotiation are displayed by the following command when the transceiver is inserted:

```
show interfaces <INTF> hardware
```

```
Arista(config)#show int ET1/1 hardware Ethernet1/1
Model: AWE-5510
Type: 10GBASE-SR
Speed/duplex: 10G/full(default)
Flowcontrol: rx-(off),tx-(off)
Error correction: unsupported
```

## Supported Transceivers

The on-board SFP ports support a wide range of 1G and 10G pluggable transceivers. The first eight ports (port 1-8) support the following transceivers:

- CAB-SFP-SFP (10GBASE-CR)
- AOC-S-S-10G (10GBASE-AOC)
- SFP-10G-SRL
- SFP-10G-SR
- SFP-10G-LRL
- SFP-10G-LR
- SFP-1G-SX
- SFP-1G-LX

- SFP-1G-T

The last eight ports (port 9-16) support the following transceivers:

- CAB-SFP-SFP (10GBASE-CR)
- AOC-S-S-10G (10GBASE-AOC)
- SFP-10G-SRL
- SFP-10G-SR
- SFP-10G-LRL
- SFP-10G-LR
- SFP-10G-ER
- SFP-10G-ZR
- SFP-10G-DZ (10GBASE-DWDM)
- SFP-10G-T
- SFP-1G-SX
- SFP-1G-LX
- SFP-1G-T

For details about the different transceivers, modules, and cables, visit <https://www.arista.com/en/products/transceivers-cables>.

### Transceiver Configuration Command Support

The first eight ports (port 1-8) are subject to minor differences in transceiver configuration.

The `shut` and `no shut` configuration commands may not make use of the SFP transceiver's software TX Disable control register. Instead, the TX Disable hardware low-speed pin signal will always be used. This does not result in any operational or behavioral differences for Arista Networks transceivers.

The configuration commands `transceiver frequency` and `transceiver channel` are not supported on the first eight ports (ports 1-8).

### Front Panel Port LEDs

The first eight port LEDs (port 1-8) may flash at a different rate than the last eight port LEDs (port 9-16) when using the `locator-led interface` CLI command.

### Caveats

Auto-negotiation parallel detection on ports 1-8.

Parallel detection is used on Arista 5510 router ports 1-8 where the port is capable of auto-negotiation. This happens when the link partner might not support auto-negotiation or when the auto-negotiation is disabled on the router. In this condition, the port that is capable of auto-negotiation can determine if it should use auto-negotiation and can match the speed with the other router.

Parallel detection is enabled by default and cannot be disabled. Links can come up with a mismatch in auto-negotiation configuration. If auto-negotiation is enabled on Arista 5510 ports 1-8 but not on the link partner and links can be established, auto-negotiation status is successful.

```
Arista(config-if-Et1/1)#show int st
Port      Name      Status      Vlan      Duplex Speed  Type      Flags Encapsulation
Et1/1                                connected  routed   a-full a-1G    1000BASE-SX
```

```
LinkPartner(config)#show int ET25 st
Port      Name      Status      Vlan      Duplex Speed  Type      Flags Encapsulation
Et25                                connected  1        full   1G     1000BASE-SX
```

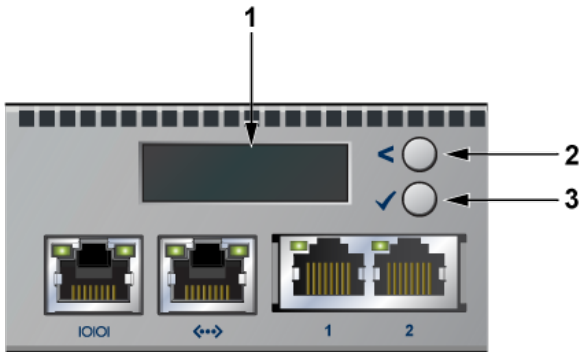
```
Arista(config-if-Et1/1)#show int ET1/1 negotiation detail Ethernet1/1
Auto-Negotiation Mode      1000BASE-X (IEEE Clause 37)
Auto-Negotiation Status    Success
Speed Downshifting         Not Applicable
```

Advertisements	Speed	Duplex	Pause
Local	1G	full	Disabled
Link Partner	1G	full	Disabled
Resolution	1Gb/s	full	Rx=Unsupp.,Tx=Unsupp.

## LCD Operation

This section describes the operation of the LCD panel for the Arista 5310 and Arista 5510 Enterprise WAN Routers.

**Figure 12-1: LCD Components**



- 1 2x16 LCD screen
- 2 Top button
- 3 Bottom button

### Buttons Functionality

The physical buttons are referenced as follows:

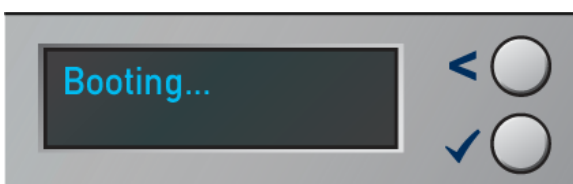
- Top - the top button located above next to the less-than (<) symbol
- Bottom - the bottom button located above next to the checkmark (✓) symbol

Each button has a functionality based on the button and how long the button is pressed.

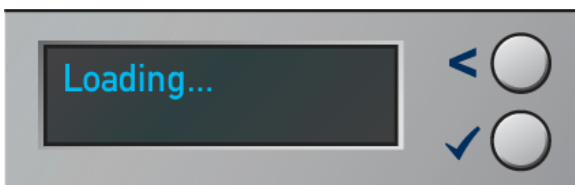
Button	Press Duration	Press Duration
	< 2 Secs	>= 2 Secs
Top button	scroll	home
Bottom button	select	confirm

### Booting

Once the power is on, the LCD displays the image shown below:

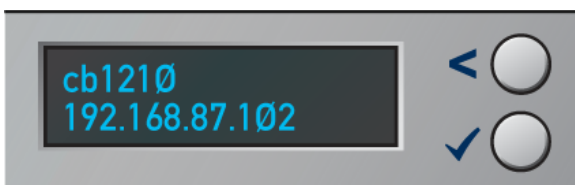


Once the bootloader is booted and when the EOS image has begun loading, the LCD displays the image shown below:



### Home Screen

Once the EOS has successfully booted, the LCD displays the home screen. The below image is an example output:



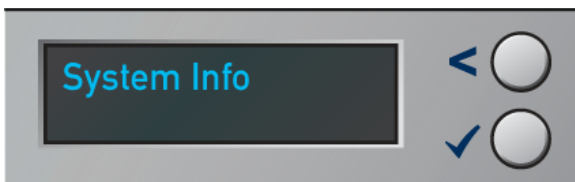
The first line displays the hostname and the second line displays the IPv4 address of the management interface.



**Note:** At any point, you can hold the top button for 2 seconds (“home” function) to return to the home screen.

### Menu Choices

Starting at the home screen, use the top button (“scroll” function) to scroll through possible menu choices. The menu choice will be displayed on the top line and the bottom line will be blank.



To select the menu item, press the bottom button (“select” function).



**Note:** If you do not select within 10 seconds, the LCD will return to the home screen. Alternatively, use the “home” function to return to the home screen.

### Menu Item Output

Although the physical display is limited to 2 rows and 16 characters per row, a menu item may display a larger virtual display of information. If the width of the line being displayed is wider than the physical screen, then the display will automatically scroll back and forth to display the entire line.

If the number of lines displayed is greater than the physical height, then you can scroll through the output by using the LCD buttons. Use the top button (“scroll” function) to see earlier lines, and use the bottom button (“select” function) to see later lines.

### System Info

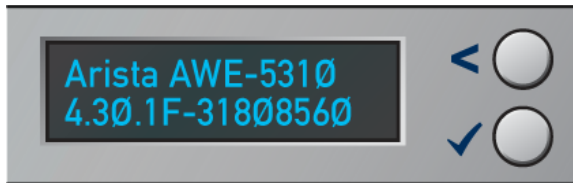
The System Info menu item shows the following information:



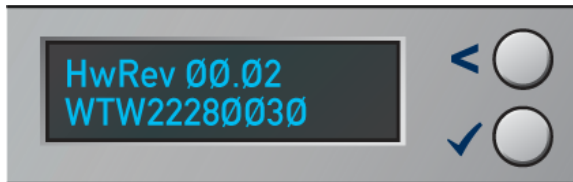
- Model name
- EOS version
- Hardware revision
- Serial number
- MAC address of the management interface

**Example:**

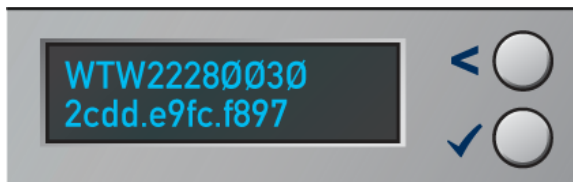
The following figure shows the first two lines of the data:



The following figure shows the data displayed after pressing the bottom button twice:



The following figure shows the data displayed after pressing the bottom button again:



## Regulatory Model Numbers

---

This section lists the Regulatory Model Number (RMN) of the routers described in this document.

**Table 10: Regulatory Model Number (RMN)**

<b>SKU</b>	<b>Regulatory Model Number (RMN)</b>
AWE-5310-2F-FLX	AN1791
AWE-5510-2F-FLX	AN1792

## Taiwan RoHS Information

---

This appendix provides Taiwan RoHS information for the routers described in this guide.

For Taiwan BSMI RoHS Table, go to <https://www.arista.com/assets/data/pdf/AristaBSMIRoHS.pdf>.