

ARISTA



Quick Start Guide

Edge Threat Management Appliance

CCA-ETM-Q20

Arista Networks

www.arista.com

DOC-06003-02

Headquarters 5453 Great America Parkway, Santa Clara, CA 95054 USA +1-408 547-5500	Support +1-408 547-5502 +1-866 476-0000	Sales +1-408 547-5501 +1-866 497-0000
https://www.arista.com/en/	mailto:support@arista.com	mailto:support@arista.com

© Copyright 2023 Arista Networks, Inc. All rights reserved. The information contained herein is subject to change without notice. The trademarks, logos and service marks ("Marks") displayed in this documentation are the property of Arista Networks in the United States and other countries. Use of the Marks are subject to Arista Network Term of Use Policy, available at <http://www.arista.com/en/terms-of-use>. Use of marks belonging to other parties is for informational purposes only.

Contents

Chapter 1: Overview	1
1.1 Scope.....	1
1.2 Receiving and Inspecting the Equipment.....	1
1.3 Installation Process.....	1
1.4 Safety Information.....	2
1.5 Obtaining Technical Assistance.....	2
1.6 Specifications.....	3
Chapter 2: Preparation	5
2.1 Site Selection.....	5
2.2 Tools and Parts Required for Installation.....	5
2.3 Electrostatic Discharge (ESD) Precautions.....	6
Chapter 3: Mounting the Appliance	7
3.1 Four-Post Rack Mount.....	7
3.2 Rack Mounting the Appliance.....	8
Chapter 4: Cabling the Appliance	11
Chapter 5: Configuring the Appliance	13
Appendix A: Status Indicators	15
A.1 Front Indicators.....	15
A.2 Rear Indicators.....	15
Appendix B: Parts List	17
Appendix C: Front Panel	19
Appendix D: Rear Panel	21
Appendix E: Regulatory Model Numbers	23
Appendix F: Taiwan RoHS Information	25

Overview

The following topics are covered in this section:

- [Scope](#)
- [Receiving and Inspecting the Equipment](#)
- [Installation Process](#)
- [Safety Information](#)
- [Obtaining Technical Assistance](#)
- [Specifications](#)

1.1 Scope

This guide is intended for properly trained service personnel and technicians who need to install the following Arista appliances:

This guide is covering the CCA-ETM-Q20 appliance.



Important:

Only qualified personnel should install, service, or replace this equipment.

Seul le personnel qualifié doit installer, service, ou remplacer cet équipement.

1.2 Receiving and Inspecting the Equipment

Upon receiving the appliance, inspect the shipping boxes and record any external damage. Retain packing materials if you suspect that part of the shipment is damaged; the carrier may need to inspect them.

If the boxes were not damaged in transit, unpack them carefully. Ensure that you do not discard any accessories that may be packaged in the same box as the main unit.

Inspect the packing list and confirm that you received all listed items. Compare the packing list with your purchase order. [Parts List](#) provides a list of components included with the appliance.

1.3 Installation Process

The following tasks are required to install and use the appliance:

1. Select and prepare the installation site [Site Selection](#).
2. Assemble the installation tools listed [Tools and Parts Required for Installation](#).
3. Attach the mounting brackets and install the switch in an equipment rack [Mounting the Appliance](#).
4. Configure the appliance [Configuring the Appliance](#).



Important:

Class 1 Laser Product: This product has provisions to install Class 1 laser transceivers which provide optical coupling to the communication network. Once a Class 1 laser product

is installed, the equipment is a Class 1 Laser Product. The customer is responsible for selecting and installing the Class 1 laser transceiver and for insuring that the Class 1 AEL (Allowable Emission Limit) per EN/IEC 60825, CSA E60825-1, and Code of Federal Regulations 21 CFR 1040 is not exceeded after the laser transceiver have been installed. Do not install laser products whose class rating is greater than 1. Refer to all safety instructions that accompanied the transceiver prior to installation. Only Class 1 laser appliances, certified for use in the country of installation by the cognizant agency are to be utilized in this product.

Produit Laser de classe 1: Ce produit a des dispositions pour installer des émetteurs-récepteurs de laser de classe 1 qui offre de couplage au réseau de communication optique. Une fois un produit laser de classe 1 est installé, l'équipement est un produit Laser de classe 1 (Appareil à Laser de Classe 1). Le client est responsable pour sélectionner et installer l'émetteur/récepteur de laser de classe 1 et pour assurer que la classe 1 AEL (limite d'émission admissible) par EN/IEC 6-825, CSA E60825-1, et Code des règlements fédéraux 21 CFR 1040 ne soit pas dépassée après avoir installé l'émetteur/récepteur de laser. Ne pas installer des appareils à laser dont la cote de classe est supérieure à 1. Voir toutes les consignes de sécurité qui ont accompagné l'émetteur-récepteur avant l'installation. Seuls appareils laser de classe 1 certifiés pour une utilisation dans le pays d'installation par l'organisme compétent doivent être utilisées dans ce produit.

**Important:**

Ultimate disposal of this product should be handled in accordance with all national laws and regulations.

Aucune pièce réparable par l'utilisateur à l'intérieur. Confiez toute réparation à un technicien qualifié.

1.4 Safety Information

Refer to the Arista Networks document *Safety Information and Translated Safety Warnings* available at: <https://www.arista.com/en/support/product-documentation>.

1.5 Obtaining Technical Assistance

Any customer, partner, reseller or distributor holding a valid Arista Service Contract can obtain technical support in any of the following ways:

- **Email:** <http://support@arista.com>. This is the easiest way to create a new service request.
- **Web:** <https://www.arista.com/en/support>.

A support case may be created through the support portal on our website. You may also download the most current software and documentation, as well as view FAQs, Knowledge Base articles, Security Advisories, and Field Notices.

- **Phone:** +1 866-476-0000 or +1 408-547-5502.

**Important:**

No user serviceable parts inside. Refer all servicing to qualified service personnel.

Aucune pièce réparable par l'utilisateur à l'intérieur. Confiez toute réparation à un technicien qualifié.

1.6 Specifications

This section lists the specifications of the CCA-ETM-Q20.

Table 1: Appliance Specifications (Dimensions and Weights)

Appliance	Size (W x D x H)	Weight
CCA-ETM-Q20	438mm x 553mm x 44mm	9.5 kg

Table 2: Appliance Specifications (Operational and Storage)

Appliance	Operating Temperature, Relative Humidity	Storage Temperature, Relative Humidity	Operating Altitude
CCA-ETM-Q20	0 – 40C 20% – 80%	-10 – 70°C 5 – 95%	up to 5000 meters

Table 3: Device Specifications (Power Input)

Power Source	Ratings
Dual 300W (Redundant PSU)	300W

Preparation

This section describes the initial setup and preparation for installing the CCA-ETM-Q20.

This chapters contains the following topics:

- [Site Selection](#)
- [Tools and Parts Required for Installation](#)
- [Electrostatic Discharge \(ESD\) Precautions](#)

2.1 Site Selection

The following criteria should be considered when selecting a site to install the appliance.

- **Temperature and Ventilation:** For proper ventilation, install the appliance where there is ample airflow to the front and back of the appliance. The ambient temperature should not go below 0° or exceed 40°C.



Important: To prevent the appliance from overheating, do not operate it in an area where the ambient temperature exceeds 40°C (104°F).

Pour empêcher l'interrupteur de surchauffe, ne pas utiliser il dans une zone où la température ambiante est supérieure à 40°C (104°F).

- **Airflow Orientation:** The airflow of the appliance travels from front to back.
- **Rack Space:** Install the appliance in a 19" rack or cabinet. The appliance height is 1 RU. The rack mounting kit provides mounting brackets for four-post racks.

When mounting the appliance in a partially filled rack, load the rack from bottom to top, with the heaviest equipment at the bottom. Load the appliance at the bottom if it is the only item in the rack.

- **Other Requirements:** Select a site where liquids or objects cannot fall onto the equipment and foreign objects are not drawn into the ventilation holes. Verify these guidelines are met:
 - Clearance areas to the front and rear panels allow for unrestricted cabling.
 - All front and rear panel indicators can be easily read.
 - Power cords can reach from the power outlet to the connector on the rear panel.



Important: All power connections must be removed to de-energize the unit.

Toutes les connexions d'alimentation doivent être enlevées pour hors tension l'appareil.

2.2 Tools and Parts Required for Installation

Each appliance provides an accessory kit that contains parts that are required to install the appliance. The accessory parts list is shown at [Parts List](#).

In addition to the accessory kit, the following tools and equipment are required to install the appliance:

Four-Post Rack

- Screws or rack mounting nuts and bolts.
- Screwdriver

Accessory kit does not include screws for attaching the appliance to the equipment rack. When installing the appliance into an equipment rack with unthreaded post holes, nuts are also required to secure the appliance to the rack posts.

2.3 Electrostatic Discharge (ESD) Precautions

Observe these guidelines to avoid ESD damage when installing or servicing the appliance.

- Assemble or disassemble equipment only in a static-free work area.
- Use a conductive work surface (such as an anti-static mat) to dissipate static charge.
- Wear a conductive wrist strap to dissipate static charge accumulation.
- Minimize handling of assemblies and components.
- Keep replacement parts in their original static-free packaging.
- Remove all plastic, foam, vinyl, paper, and other static-generating materials from the work area.
- Use tools that do not create ESD.

Mounting the Appliance

The appliance is mounted onto a four-post rack by preparing the chassis for mounting, then securing the appliance to the front posts using the mounting brackets, followed by securing it to the rear posts.

3.1 Four-Post Rack Mount

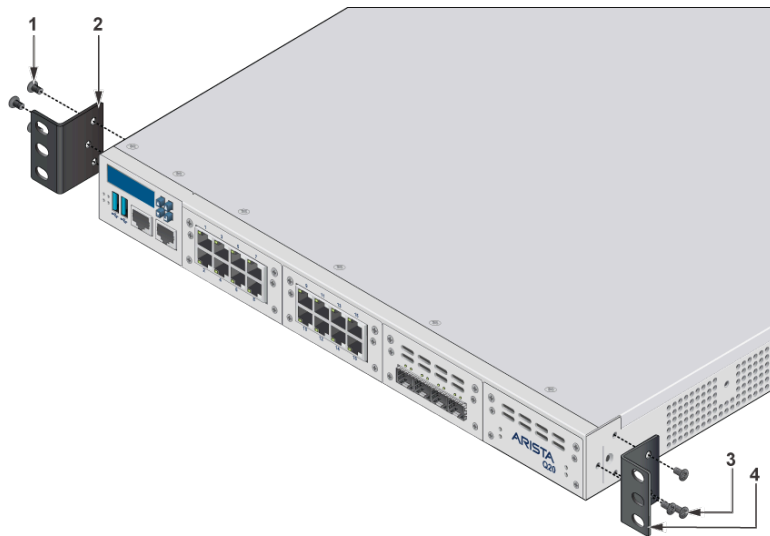


Note: Each chassis side has holes that allow for the attachment of the slide rails. Ensure that the rails are attached symmetrically to the left and right sides of the chassis and the slides can be extended to connect with the rear rack posts. Depending on the depth of the rear rack, the number of screws required will vary.



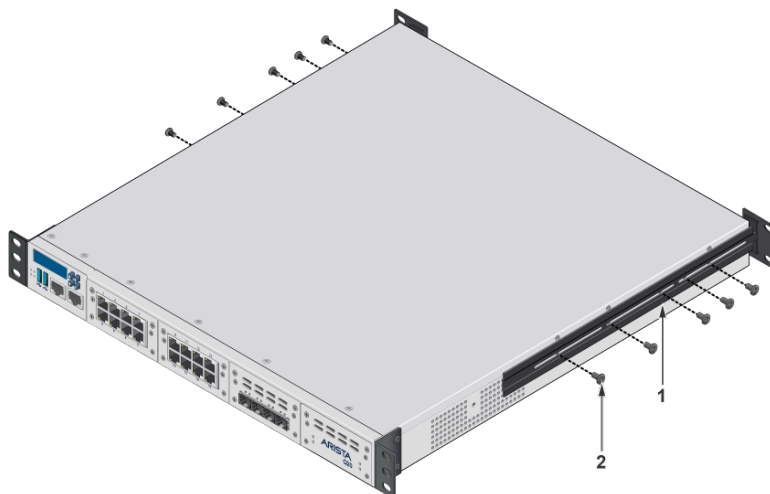
Note: A minimum of two screws are recommended for each side.

3.2 Rack Mounting the Appliance



- | | |
|-------------------|-------------------|
| 1 Mounting screws | 3 Mounting screws |
| 2 Left bracket | 4 Right bracket |

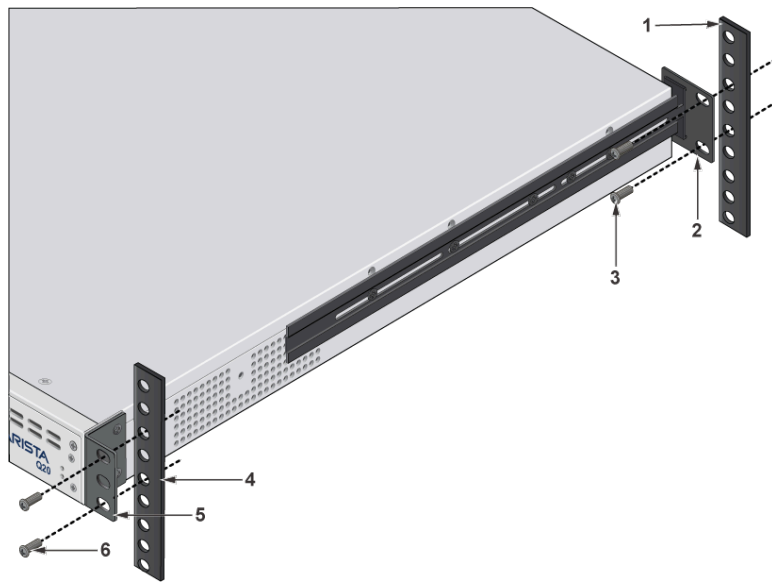
1. Align the left bracket to the left face plate.
2. Attach the left front mounting bracket using three mounting screws.
3. Align the right bracket to the right face plate.
4. Attach the right front mounting bracket using three mounting screws.



- | | |
|-----------------|-------------------|
| 1 Mounting rail | 2 Mounting screws |
|-----------------|-------------------|

1. Align the left rail to the four holes on left side of the appliance.
2. Attach the left rail using four mounting screws.
3. Align the right rail to the four holes on right side of the appliance.
4. Attach the right rail using four mounting screws.

Attaching the Appliance to the rack.



- | | |
|-------------------|-------------------|
| 1 Back rack post | 4 Front rack post |
| 2 Back bracket | 5 Front bracket |
| 3 Mounting screws | 6 Mounting screws |

1. Insert appliance into the racking at the predetermined height within the left side of the rack.
2. Attach the left rear mounting bracket using three mounting screws.
3. Attach the left front mounting bracket using three mounting screws.
4. Repeat Steps 2 and 3 for the right side Appliance installation into the racking.

Cabling the Appliance

This procedure is for attaching network and power cables to the appliance.

1. Connect an Ethernet cable from your Internet provider modem or router to the designated Internet port.
2. Connect an Ethernet cable from your management computer or LAN switch to port 1.
3. Plug in a power cable to an AC power source and connect it to a power input on the rear panel.
4. Plug in a second power cable to an AC power source and connect it to the second power input on the rear panel.

Configuring the Appliance

You can manage your appliance using the Edge Threat Management Dashboard or from the local network.

From Edge Threat Management Dashboard

1. Navigate your web browser to <https://edge.arista.com/cmd>.
2. Log in with your Edge Threat Management Dashboard account, or click **Create Account** to set up an account.
3. Navigate to the **Appliances** screen and click **Add**.
4. Enter the serial number located on the bottom of your appliance.
5. Click **Add** to confirm the new appliance.
6. Complete the initial setup to begin managing your appliance.

From the Local Network

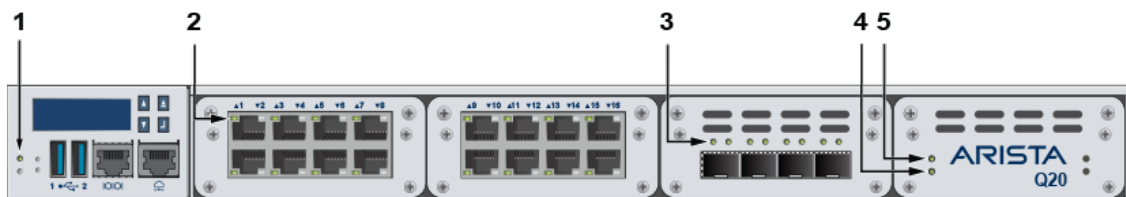
1. Connect an Ethernet cable from your management computer or LAN switch to the LAN port.
2. From your management computer, check the network status of your system and confirm that you receive an IPv4 address in the subnet of **192.168.2.0/24** (example: **192.168.2.100**).
3. In a browser, navigate to <http://192.168.2.1>.
4. Follow the steps in your browser to complete the setup.

Status Indicators

A.1 Front Indicators

This section describes the front panel LED status of the CCA-ETM-Q20 appliance.

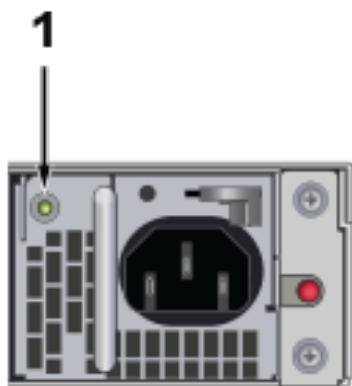
Figure 1: CCA-ETM-Q20 Front Status Indicators



1 Power	4 Storage activity
2 Port indicator	5 Storage power
3 LAN port indicators	

A.2 Rear Indicators

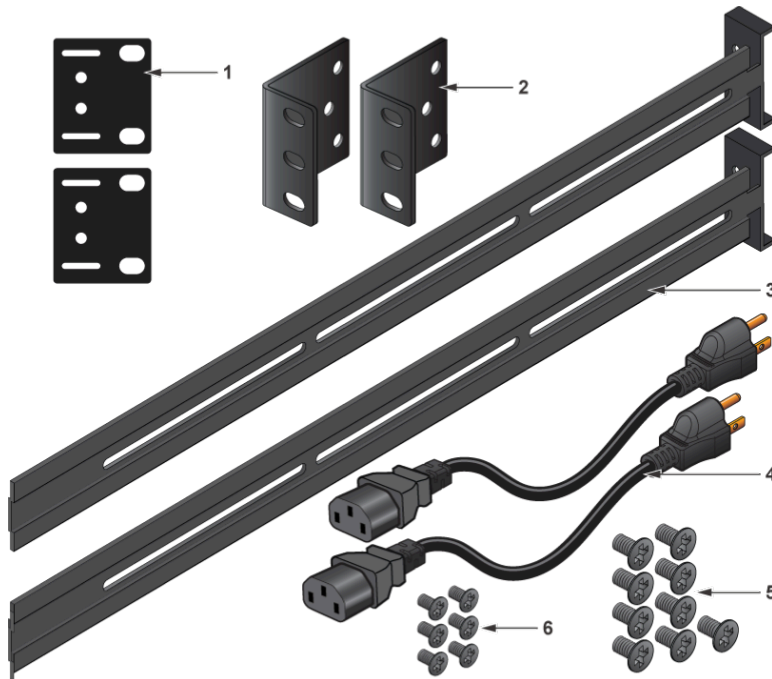
This section describes the rear panel LED status of the CCA-ETM-Q20 appliance.



- 1 Power indicator

Parts List

Each appliance provides an accessory kit that contains parts that are required to install the appliance. This section lists the installation parts contained in the appliance accessory kit.



- | | |
|--------------------|-----------------------------|
| 1 Back bracket | 4 Power cable |
| 2 Mounting bracket | 5 Racking mounting screws |
| 3 Mounting rail | 6 Appliance mounting screws |

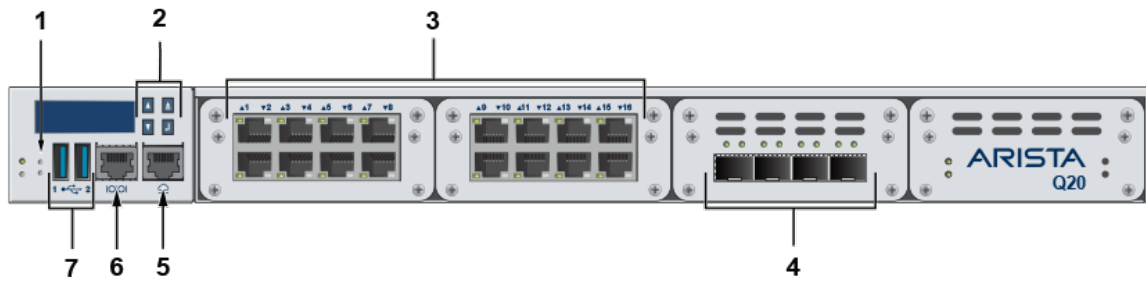
The CCA-ETM-Q20 package includes:

- Two power cables
- Rack mounting hardware
- CCA-ETM-Q20 appliance

The installation kit provides the following four-post mounting parts:

- 2 - Front mounting brackets (left and right).
- 2 - Rails (left and right).
- 6 - Screws for the front mounting brackets
- 10 - Screws to attach the side rails to the chassis and the back plates to the rails.
- 2 - Back plates (left and right).

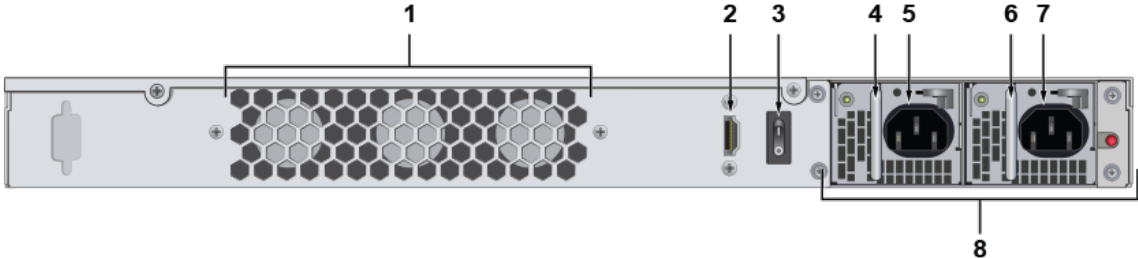
Front Panel



- | | | | |
|---|----------------|---|---------------|
| 1 | Reset button | 5 | Console port |
| 2 | LCD controls | 6 | Internet port |
| 3 | LAN ports | 7 | USB ports |
| 4 | SFP+ LAN ports | | |

Rear Panel

The following displays the CCA-ETM-Q20 rear panel.



- 1 Fans
- 2 Video out (HDMI)
- 3 Power switch
- 4 PSU handle
- 5 Power supply socket
- 6 PSU handle
- 7 Power supply socket
- 8 Power supply units

Regulatory Model Numbers

This appendix lists the Regulatory Model Numbers (RMNs), where applicable, for the product models for the appliances described in this document.

Regulatory Model Number (RMN)	Product Number(s)
AN2204, CAR-4040-5200-E90	CCA-ETM-Q20

Taiwan RoHS Information

This appendix provides Taiwan RoHS information for appliances covered by this guide.

For Taiwan BSMI RoHS Table, go to <https://www.arista.com/assets/data/pdf/AristaBSMIroHS.pdf>.