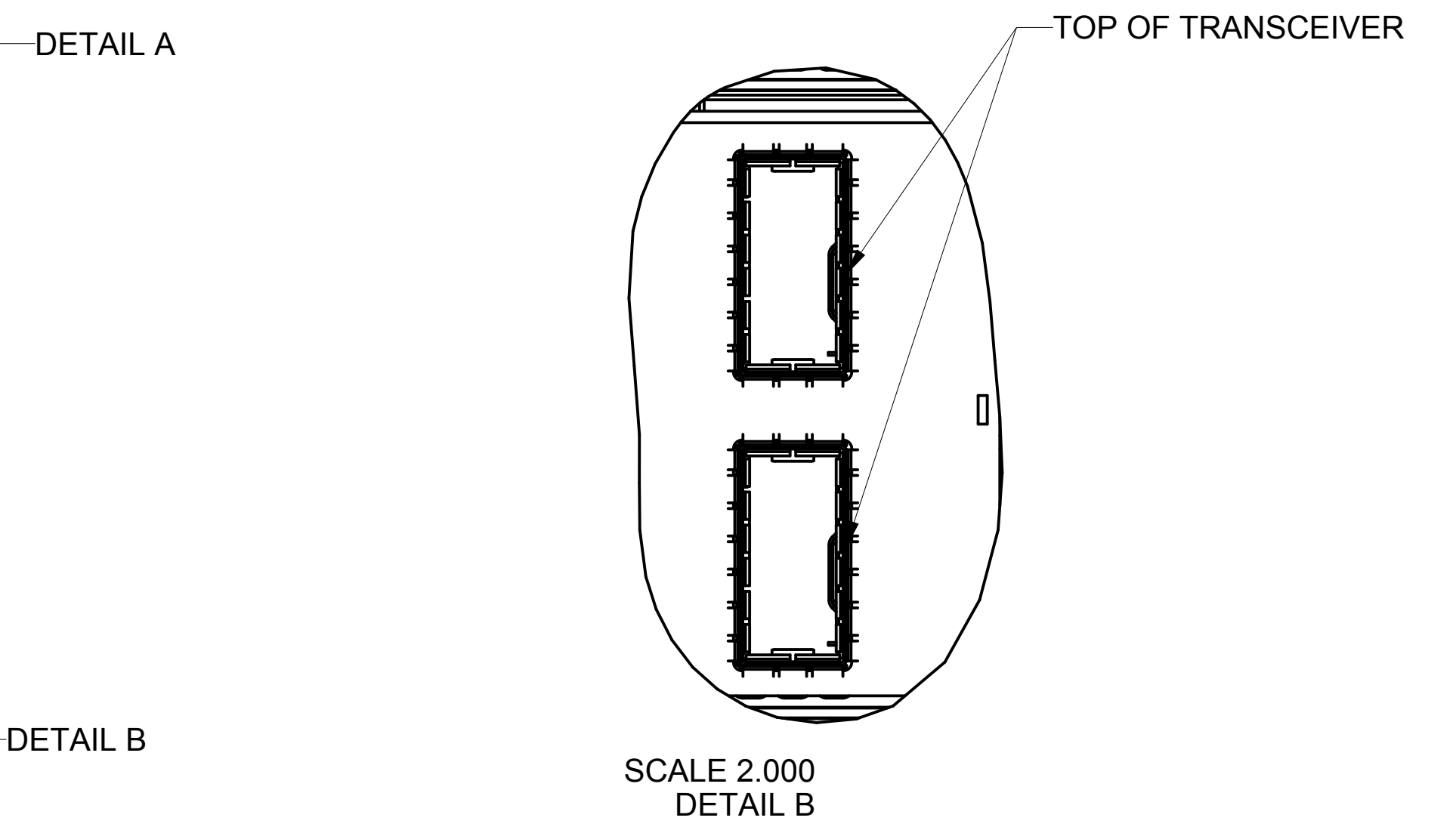
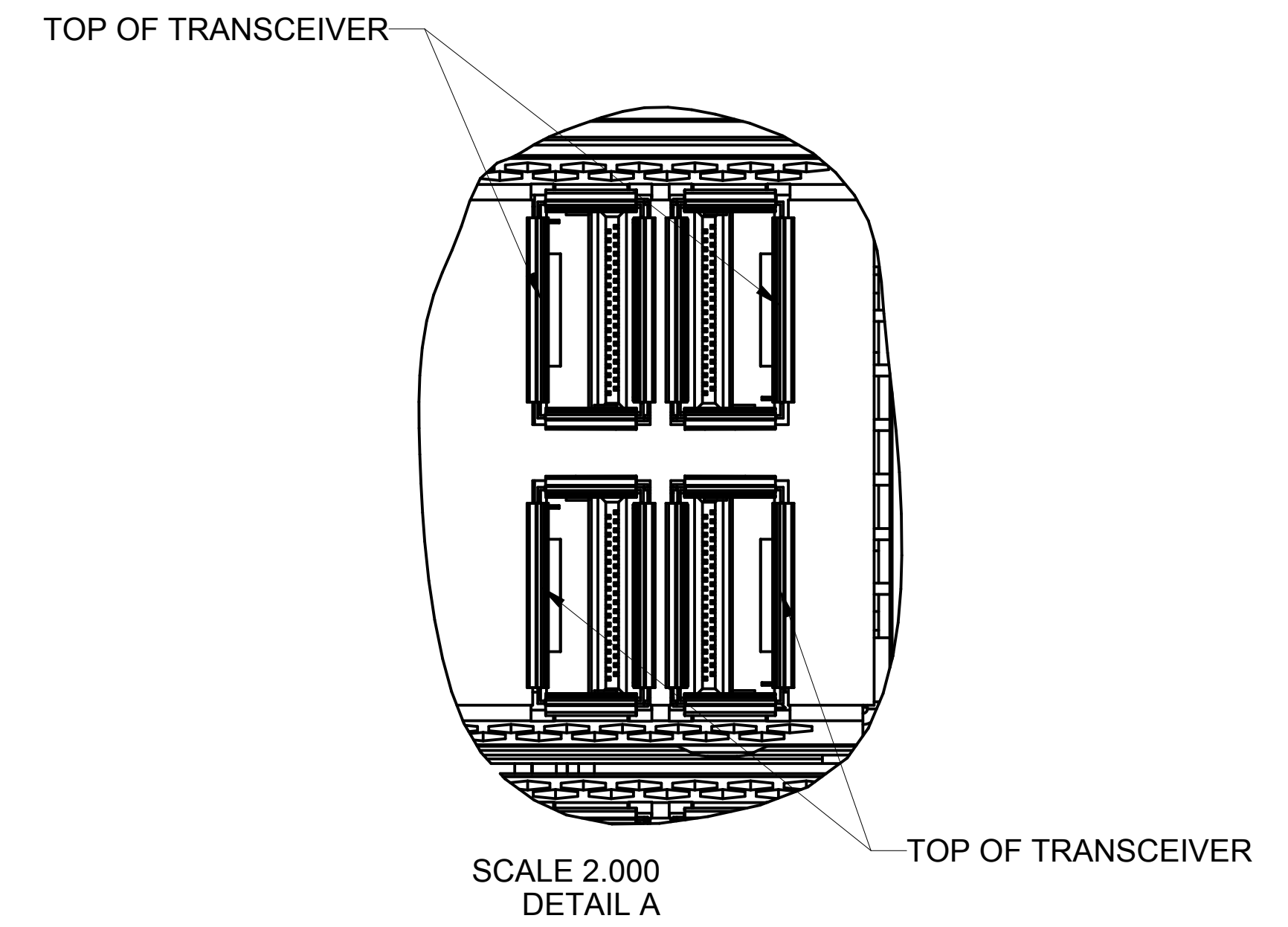
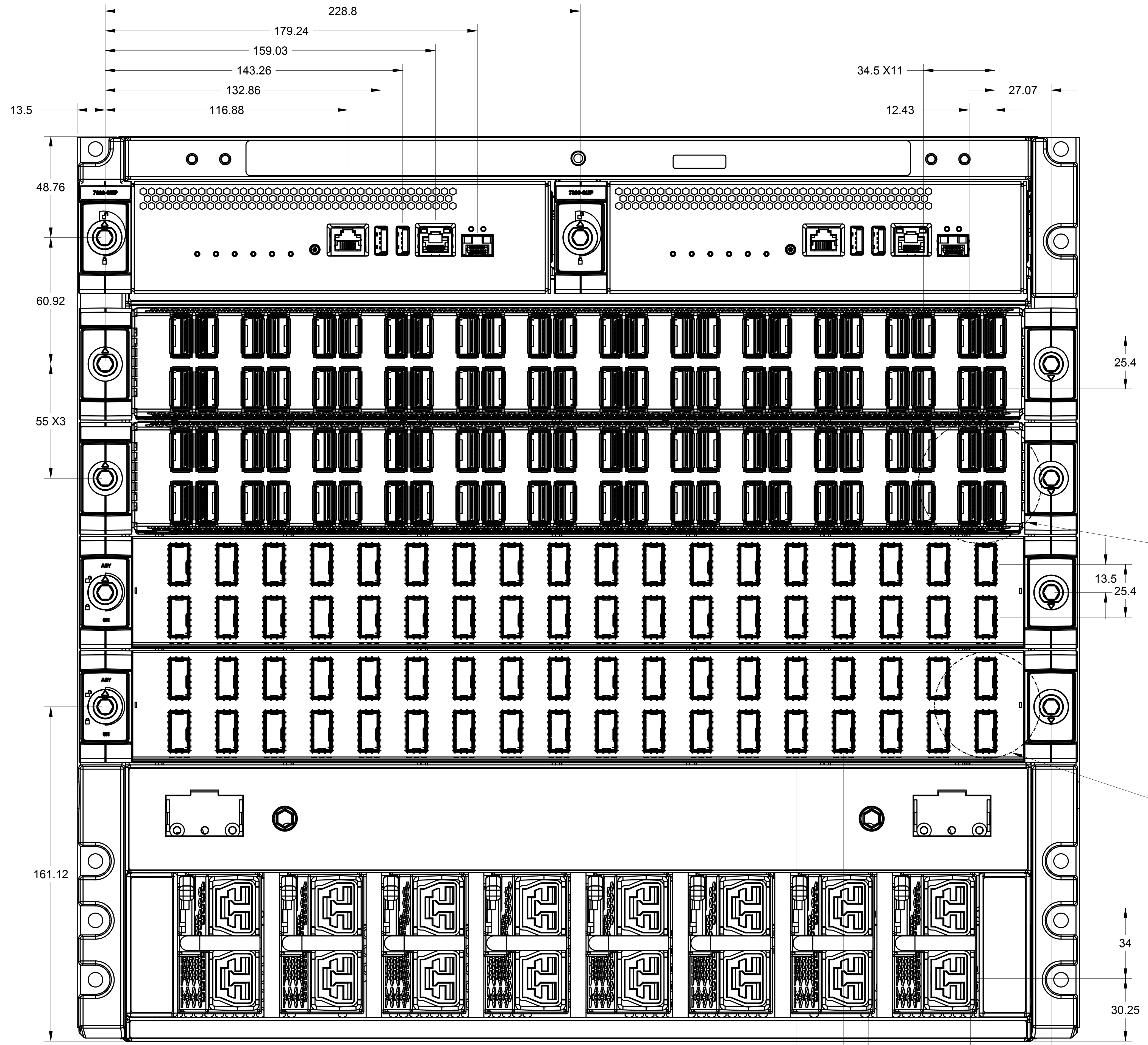


THE CONTENTS OF THIS DOCUMENT ARE PROPRIETARY TO ARISTA NETWORKS, INC., ISSUED IN STRICT CONFIDENCE AND SHALL NOT BE DISCLOSED TO OTHERS OR USED FOR PURPOSES OTHER THAN INTENDED WITHOUT THE WRITTEN APPROVAL OF ARISTA NETWORKS, INC.

REV		BY	DESCRIPTION	DATE
A0		MHH	INITIAL RELEASE	Aug-07-22



DIMENSIONS ARE IN MILLIMETERS UNLESS OTHERWISE SPECIFIED

ARISTA

TITLE		Pro/E ASSEM FILE: DN4.TLA_CF.CREATE		Pro/E DRW FILE: DN4.TLA_CF.CREATE	
SIZE	SCALE	SHEET	DRAWING NO.	REV	
D	0.04	1 OF 1			

THIRD ANGLE PROJECTION