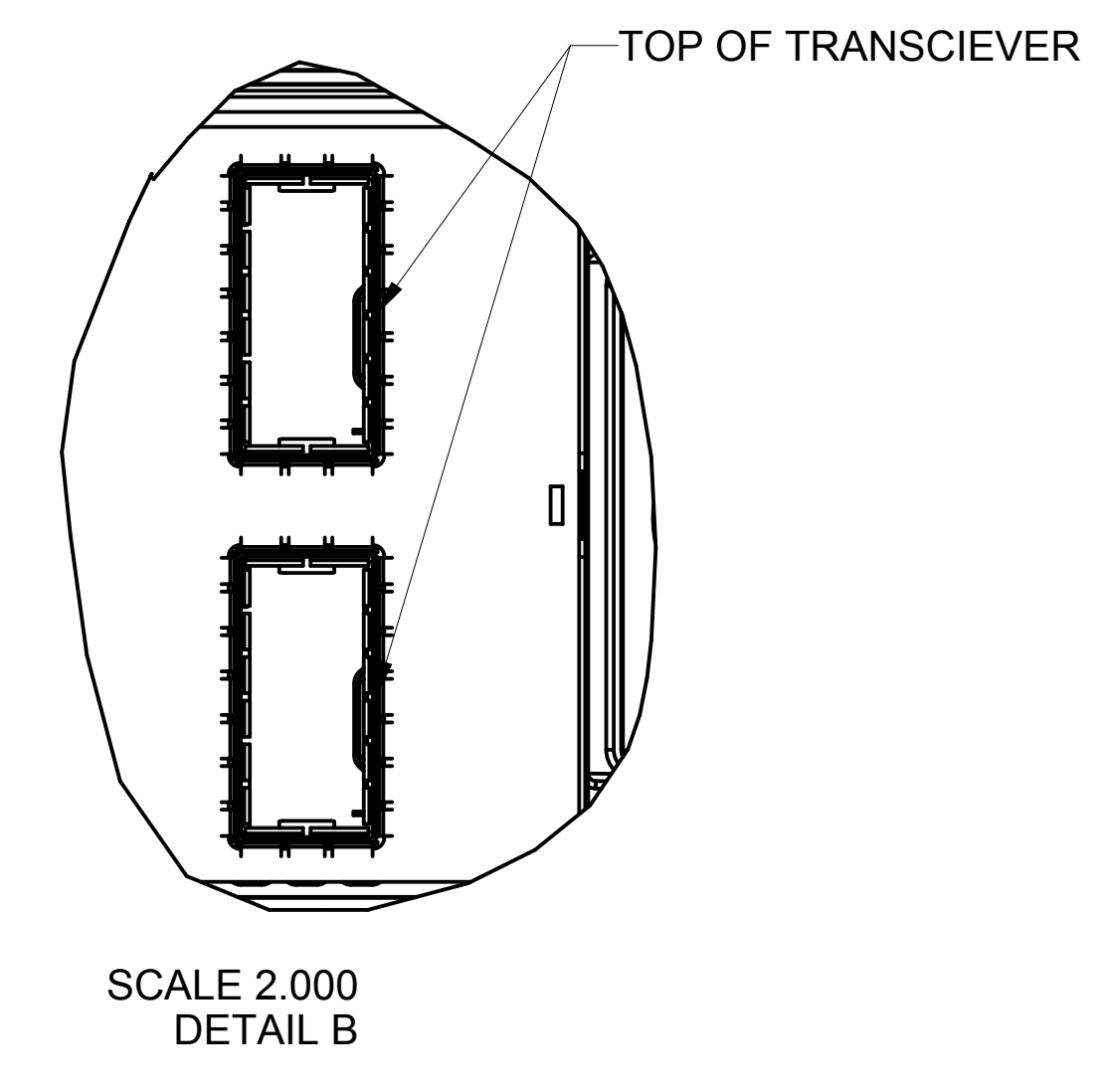


DETAIL A



DETAIL B

DIMENSIONS ARE IN MILLIMETERS UNLESS OTHERWISE SPECIFIED				
TITLE				
PWA/ASSEM FILE: DWS_CF.CREATE		PWA/DRW FILE: DWS_CF.CREATE		
SIZE	SCALE	SHEET	DRAWING NO.	
THIRD ANGLE PROJECTION	0.00	1 OF 1		