

ARISTA

Quick Start Guide

Awake Security Appliance

DCA-NDR-S100MB
DCA-NDR-S10

DCA-NDR-S1
DCA-NDR-NB10

DCA-NDR-S5
DCA-NDR-A5



Headquarters	Support	Sales
5453 Great America Parkway Santa Clara, CA 95054 USA +1-408-547-5500	+1-408-547-5502 +1-866-476-0000	+1-408-547-5501 +1-866-497-0000
www.arista.com/en/	support@arista.com	sales@arista.com

© Copyright 2024 Arista Networks, Inc. All rights reserved. The information contained herein is subject to change without notice. The trademarks, logos, and service marks ("Marks") displayed in this documentation are the property of Arista Networks in the United States and other countries. Use of the Marks is subject to the Arista Networks Terms of Use Policy, available at www.arista.com/en/terms-of-use. Use of marks belonging to other parties is for informational purposes only.

Contents

- Chapter 1: Overview..... 1**
 - 1.1 Scope..... 1
 - 1.2 Receiving and Inspecting the Equipment..... 1
 - 1.3 Installation Process..... 2
 - 1.4 Safety Information..... 2
 - 1.5 Obtaining Technical Assistance..... 3
 - 1.6 Specifications..... 3

- Chapter 2: Preparation..... 4**
 - 2.1 Site Selection..... 4
 - 2.2 Tools and Parts Required for Installation..... 5
 - 2.3 Electrostatic Discharge (ESD) Precautions..... 5

- Chapter 3: Rack Mounting an Awake Security Appliance..... 6**
 - 3.1 Installing 1RU Awake Security appliances..... 6
 - 3.2 Installing 2RU Awake Security Appliances..... 8

- Chapter 4: Cabling the Appliance..... 13**

- Chapter 5: Configuring the Awake Security Platform..... 14**
 - 5.1 Connecting to the Admin CLI..... 14
 - 5.2 Configuring the Appliance..... 14
 - 5.2.1 Configuring the Management Interface..... 15
 - 5.2.2 Configuring DNS..... 15
 - 5.2.3 Configuring NTP..... 15
 - 5.2.4 Configuring Proxy..... 15
 - 5.2.5 Configuring IPMI / DRAC Interface..... 16
 - 5.3 Verifying the Configuration..... 16

- Appendix A: Status Indicators..... 17**
 - A.1 Control Panel Indicators..... 17
 - A.2 Front Panel Status Indicators..... 18
 - A.3 Rear Panel Status Indicators..... 18

- Appendix B: Parts List..... 21**
 - B.1 Rack Mount Parts..... 21
 - B.2 Cables..... 21

- Appendix C: Front Panel..... 23**

- Appendix D: Rear Panel..... 24**

Appendix E: Regulatory Model Numbers..... 26

Overview

Awake Network Security Platform through its subsidiary, Awake Security. The AI-based software platform operates on a physical appliance or a set of physical and virtual appliances. The hardware can be purchased with a Stock Keeping Unit (SKU) having the Data Center Automation (DCA) prefix in the format of DCA-NDR-XY, where X is A (All-in-One), NB (Nucleus), or S (Sensor) and Y is a number indicating a maximum Gb/s rate (currently 100MB, 1GB, 5GB, or 10GB).

Each appliance type has unique characteristics, so identify the correct appliance (All-in-one, Nucleus, or Sensor) for the function before beginning the installation tasks.

The Overview section discusses the following topics:

- [Scope](#)
- [Receiving and Inspecting the Equipment](#)
- [Installation Process](#)
- [Safety Information](#)
- [Obtaining Technical Assistance](#)
- [Specifications](#)

1.1 Scope

This guide is for properly trained service personnel and technicians who need to install and configure the Awake Security appliances with the following SKU format:

- DCA-NDR-S100MB, 1RU Sensor Appliance
- DCA-NDR-S1, 1RU Sensor Appliance
- DCA-NDR-S5, 2RU Sensor Appliance
- DCA-NDR-S10, 2RU Sensor Appliance
- DCA-NDR-NB10, 2RU Nucleus Appliance
- DCA-NDR-A5, 2RU All-in-One Appliance



Note:

Only qualified personnel should install, service, or replace this equipment.

Seul le personnel qualifié doit installer, service, ou remplacer cet équipement.

1.2 Receiving and Inspecting the Equipment

Upon receiving the Awake Security appliance(s), inspect the shipping boxes and record any external damage. If you suspect that part of the shipment is damaged, retain packing materials; the carrier may need to inspect them.

If the boxes were not damaged in transit, unpack them carefully. Do not discard any accessories that may have been packaged in the same box as the main unit.

Inspect the packing list and confirm that you received all listed items. Compare the packing list with your purchase order. Appendix B provides a list of components included with the Awake Security appliance.

1.3 Installation Process

The following tasks are required to install and use the Awake Security appliance:

1. Select and prepare the installation site ([Section 2.1](#)).
2. Assemble the installation tools ([Section 2.2](#)).
3. Attach the mounting brackets and install the Awake Security appliance in an equipment rack ([Chapter 3](#)).
4. Connect the Awake Security appliance to the power source and network devices ([Chapter 4](#)).
5. Configure the Awake Security appliance ([Chapter 5](#)).



Note:

Class 1 Laser Product: This product has provisions to install Class 1 laser transceivers which provide optical coupling to the communication network. Once a Class 1 laser product is installed, the equipment is a Class 1 Laser Product (Appareil à Laser de Classe 1). The customer is responsible for selecting and installing the Class 1 laser transceiver and for insuring that the Class 1 AEL (Allowable Emission Limit) per EN/IEC 60825, CSA E60825-1, and Code of Federal Regulations 21 CFR 1040 is not exceeded after the laser transceiver have been installed. Do not install laser products whose class rating is greater than 1. Refer to all safety instructions that accompanied the transceiver prior to installation. Only Class 1 laser devices, certified for use in the country of installation by the cognizant agency are to be utilized in this product.

Produit Laser de classe 1: Ce produit a des dispositions pour installer des émetteurs-récepteurs de laser de classe 1 qui offre de couplage au réseau de communication optique. Une fois un produit laser de classe 1 est installé, l'équipement est un produit Laser de classe 1 (Appareil à Laser de Classe 1). Le client est responsable pour sélectionner et installer l'émetteur/récepteur de laser de classe 1 et pour assurer que la classe 1 AEL (limite d'émission admissible) par EN/IEC 6-825, CSA E60825-1, et Code des règlements fédéraux 21 CFR 1040 ne soit pas dépassée après avoir installé l'émetteur/récepteur de laser. Ne pas installer des appareils à laser dont la cote de classe est supérieure à 1. Voir toutes les consignes de sécurité qui ont accompagné l'émetteur-récepteur avant l'installation. Seuls appareils laser de classe 1 certifiés pour une utilisation dans le pays d'installation par l'organisme compétent doivent être utilisées dans ce produit. Ultimate disposal of this product should be in accordance with all applicable laws and regulations.



Note:

Ultimate disposal of this product should be handled in accordance with all national laws and regulations.

Aucune pièce réparable par l'utilisateur à l'intérieur. Confiez toute réparation à un technicien qualifié.

1.4 Safety Information

Refer to the Arista Networks *Compliance and Safety Guides* document, translated into several languages and available at the bottom of the page of the **Hardware** tab at <https://www.arista.com/en/support/product-documentation>.

1.5 Obtaining Technical Assistance

Any customer, partner, reseller, or distributor holding a valid Arista Service Contract can obtain technical support in any of the following ways:

- **Email:** <mailto:support@arista.com>.

This is the easiest way to create a new service request. Include a detailed description of the problem.

- **Web:** <https://www.arista.com/en/support>

You can create a support case through the support portal on our website. You can also download the most current software and documentation, as well as view FAQs, Knowledge Base articles, Security Advisories, and Field Notices.

- **Phone:** +1 866-476-0000 or +1 408-547-5502.



Note:

No user-serviceable parts inside. Refer all servicing to qualified service personnel.

Aucune pièce réparable par l'utilisateur à l'intérieur. Confiez toute réparation à un technicien qualifié.

1.6 Specifications

Table 1: Awake Security appliance Specifications (RUs, Dimensions, and Weight)

Awake Security appliance SKU	Rack Units (RUs)	Dimensions (W x H x D)	Weight
DCA-NDR-S100MB	1	43.7 x 4.3 x 65.0 cm (17.2 x 1.7 x 25.6 in)	20.87 kg (46 lbs.)
DCA-NDR-S1	1	43.7 x 4.3 x 65.0 cm (17.2 x 1.7 x 25.6 in)	20.87 kg (46 lbs.)
DCA-NDR-S5	2	43.7 x 89.0 x 72.3 cm (17.2 x 3.5 x 28.5 in)	32.7 kg (72.0 lbs.)
DCA-NDR-S10	2	43.7 x 89.0 x 72.3 cm (17.2 x 3.5 x 28.5 in)	32.7 kg (72.0 lbs.)
DCA-NDR-NB10	2	43.7 x 89.0 x 72.3 cm (17.2 x 3.5 x 28.5 in)	32.7 kg (72.0 lbs.)
DCA-NDR-A5	2	43.7 x 89.0 x 72.3 cm (17.2 x 3.5 x 28.5 in)	32.7 kg (72.0 lbs.)

Preparation

The Preparation section discusses the following topics:

- [Site Selection](#)
- [Tools and Parts Required for Installation](#)
- [Electrostatic Discharge \(ESD\) Precautions](#)

2.1 Site Selection

Consider the following criteria when selecting a site to install the Awake Security appliance(s):

- **Temperature and Ventilation:** For proper ventilation, install the Awake Security appliance, where there is ample airflow to the front and back of the Awake Security appliance. Maintain an ambient temperature between 0° and 40°C.



Note:

Do not operate the Awake Security appliance in an area where the ambient temperature exceeds 40°C (104°F) to prevent overheating.

Pour éviter que l'apppliance Awake Security ne surchauffe, ne l'utilisez pas dans une zone où la température ambiante est supérieure à 40 °C (104 °F).

- **Rack Space:** Install the Awake Security appliance in a 19" rack or cabinet. The accessory kit provides mounting brackets for a four-post rack.

When mounting the Awake Security appliance in a partially filled rack, load the rack from bottom to top, with the heaviest equipment at the bottom. Load the Awake Security appliance at the bottom if it is the only item in the rack.

- **Other Requirements:** Select a site where liquids or objects cannot fall onto the equipment and foreign objects are not drawn into the ventilation holes. Verify these guidelines are met:
 - Maintain clearance areas in the front and rear panels for unrestricted cabling and switch and control accessibility.
 - All front and rear panel indicators can be easily seen and read.



Note: The Status indicators and control functions are shown in [Status Indicators Appendix A](#).

- Power cords can reach from the power outlet to the connector on the rear panel.



Note:

Remove all power connections to fully de-energize the unit after it is powered off using the power switch.

Toutes les connexions électriques doivent être retirées pour mettre complètement l'unité hors tension après sa mise hors tension à l'aide de l'interrupteur d'alimentation.

2.2 Tools and Parts Required for Installation

Each Awake Security appliance provides an accessory kit containing the parts required to install it. In addition to the accessory kit, the following tools and equipment are required to install the Awake Security appliance:

- Screws or rack mounting nuts and bolts
- Screwdriver
- Four post rails



Note: No additional equipment is required for installation into tool-less four-post racks.

The accessory kit does not include screws for attaching the Awake Security appliance to the equipment rack. When installing the appliance into an equipment rack with unthreaded post holes, nuts are also required to secure the device to the rack posts.

2.3 Electrostatic Discharge (ESD) Precautions

Observe these guidelines to avoid ESD damage when installing or servicing Awake Security appliances:

- Assemble or disassemble equipment only in a static-free work area.
- Select a conductive work surface (such as an anti-static mat) to dissipate static charge accumulation.
- Wear a conductive wrist strap to dissipate any static charge accumulation.
- Minimize handling of assemblies and components.
- Keep replacement parts in their original static-free packaging until they can be handled with anti-static precautions.
- Remove all plastic, foam, vinyl, paper, and other static-generating materials from the work area.
- Select tools that do not generate ESD.

Rack Mounting an Awake Security Appliance

This section discusses the rack mounting procedure identical to all Awake Security appliances covered by this guide. Illustrations in this section depict the mounting of Awake 1RU and 2RU appliances.

Cette section décrit la procédure de montage en rack identique à toutes les appliances Awake Security couvertes par ce guide. Les illustrations de cette section représentent le montage des appareils Awake 1RU et 2RU.

The following sections provide instructions for mounting Awake 1RU and 2RU appliances:

- [Installing 1RU Awake Security appliances](#)
- [Installing 2RU Awake Security Appliances](#)

3.1 Installing 1RU Awake Security appliances

Perform the following steps to install a 1RU Awake Security appliance:

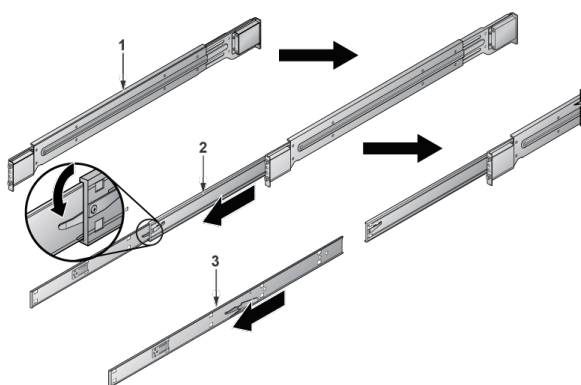
1. Identify the left and right outer rails by examining the ends, which bend outward. Slide the matching inner rails into the corresponding outer rails to be sure they are ready for installation.



Note: The rail set fits a 25.6" and 33" deep rack.

2. Position the alignment pins in the rear rail (2) with the hole at the end of the slot in the front rail (1), and slide the front section into the rear section (3).

Figure 3-1: Installing Rails



Note: Each end of the assembled outer rail includes a bracket with alignment pins to fit into your rack holes.

3. Position the alignment pins on the front end of the rail with the holes on the front of the rack (C). Push the rail into the rack until the quick-release bracket snaps into place, securing the rail to the rack.



Note: Mount the rails horizontally, referencing the number labels on the rack's vertical bars.

4. Adjust the rail to reach just past the full depth of your rack.
5. Position the alignment pins on the rear end of the rail to the holes on the rack (D) and push the rail into the rack until the quick-release bracket snaps into place, securing the rail to the rack.
6. Repeat the procedure for the other outer rail assembly.

Figure 3-2: Rack Rails Installed



Note: Ensure that the appliance includes the inner rails and inner rail extensions and that the outer rails are installed on the rack.

7. Align the appliance's inner rails with the front of the outer rails on the rack.
8. Slide the appliance rails into the rack, keeping the pressure even on both sides.

Figure 3-3: Installing the Appliance into a Rack



Note: You may have to select the bracket clips while inserting the appliance. When you fasten the server into the rack, ensure you hear the bracket clip protect with an audible click.

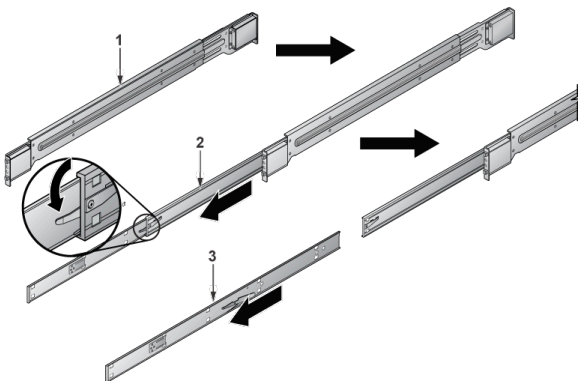
9. Secure the front of the server to the rack with thumbscrews.

3.2 Installing 2RU Awake Security Appliances

Perform the following steps to install a 2RU Awake Security appliance:

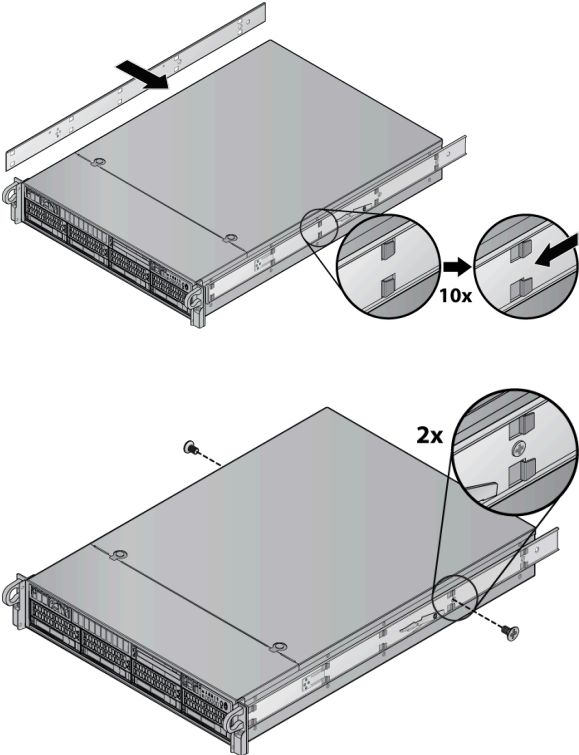
1. Detach the inner rails from the outer rails.

Figure 3-4: Detaching Rails



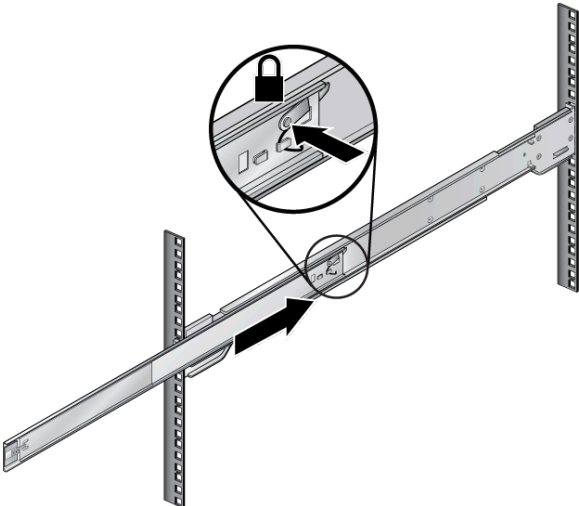
2. Install the inner rails to the side of the appliance.

Figure 3-5: Install inner rails



3. Press the button to slide the rail in.

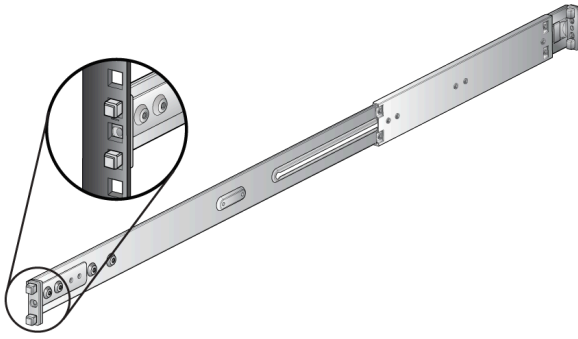
Figure 3-6: Slide the Rail in



Note: Ensure the rails are attached to the same rack position number in all four corners.

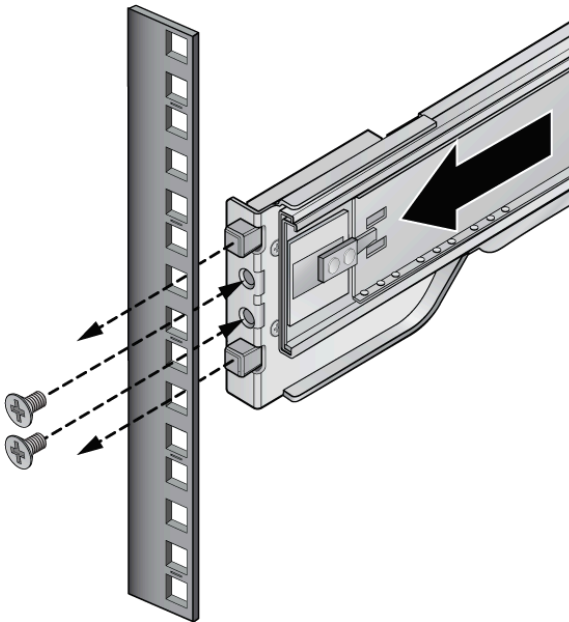
4. Slide the outer rail into the front rack.

Figure 3-7: Assembling Outer Rails



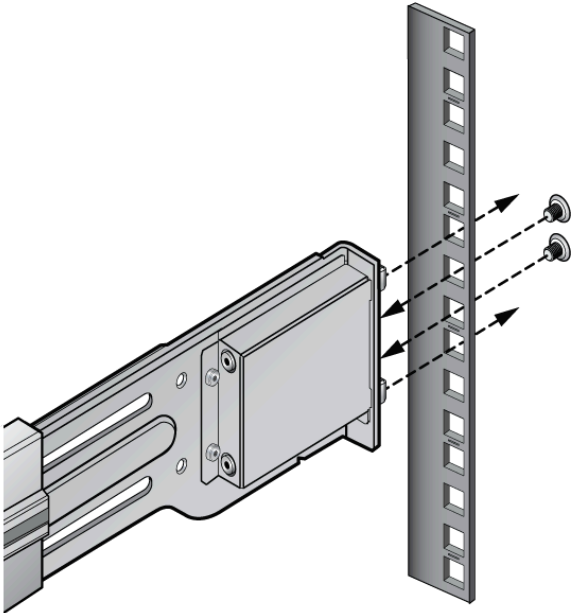
5. Secure the rack to the rail with screws.

Figure 3-8: Screw in the rails



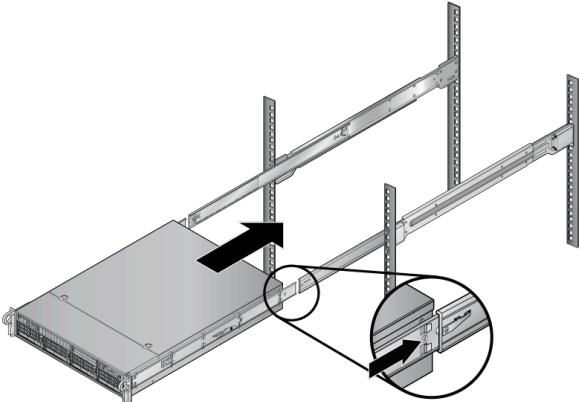
6. Repeat the previous step to mount four corners.

Figure 3-9: Mount all Four Corners



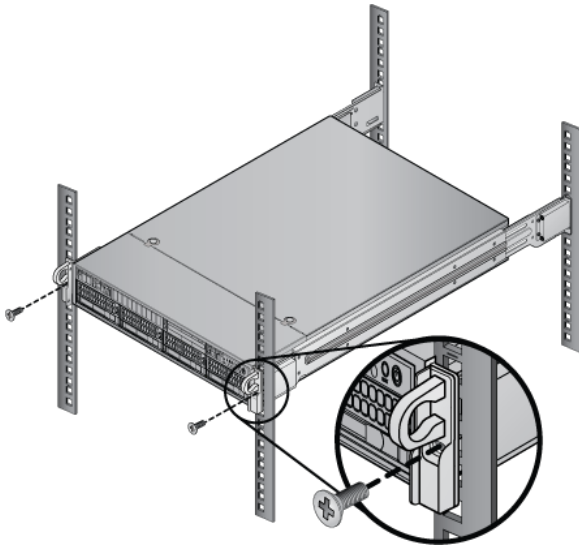
7. Insert the appliance rails into the rack rails and slide the appliance in.

Figure 3-10: Positioning the Appliance



8. Install screws into the handles to secure the appliance.

Figure 3-11: Securing the Appliance



Cabling the Appliance

For all Awake Security appliances, connect the management port to your network. For Awake All-in-One and Sensor appliances, connect the packet capture port to the span port of your switch.

Cable the Awake Nucleus appliance in one of the following ways as appropriate for your installation:

- For a single nucleus installation, interconnect ports are unused and should not be connected.
- For a dual nucleus installation, connect a network cable from the first nucleus interconnect port to the second nucleus interconnect port.
- For a nucleus cluster with more than two nucleus appliances, attach a network cable from one of the interconnect ports from each nucleus and connect it to the supplied Arista switch.

Refer to the [Rear Panel](#) section for the information on ports.

Configuring the Awake Security Platform

After the appliances are physically installed and cabled up, the next step is software configuration of the individual Awake Security appliances, which, after configured, will combine to become the Awake Security Platform:

1. [Connecting to the Admin CLI](#)
2. [Configuring the Appliance](#)
3. [Verifying the Configuration](#)

5.1 Connecting to the Admin CLI

You can access the CLI by physically connecting a monitor and a keyboard to the Awake Security appliance SKU. The following screen is displayed:

Figure 5-1: Command Prompt Window

```
<<< Welcome to NixOS 20.03post-git (x86_64) - tty1 >>>
Run `nixos-help` for the NixOS manual.
Hint: Num Lock on
provision-serialnumber login:
```



Note: Enter the username as `admin` and the password provided by the Awake support.

5.2 Configuring the Appliance

Configure the following networking parameters in Awake Security appliances:

- [Configuring the Management Interface](#)
- [Configuring DNS](#)
- [Configuring NTP](#)
- [Configuring Proxy](#)
- [Configuring IPMI / DRAC Interface](#)



Note: If configuring all networking parameters simultaneously, you can run the `apply` and `reboot` commands at the end of all configurations instead of running them for each.

5.2.1 Configuring the Management Interface

Perform the following steps to configure the management interface:

1. Enter the `set interface static <ip> <netmask> <default gateway>` where specified variables denotes the following values:
 - `<ip>` - IP address of the management interface
 - `<netmask>` - Netmask of the network (for example, 255.255.255.0)
 - `<default gateway>` - Default gateway of the network

CLI displays the following prompt:

```
Applying network settings now might cause the network to disconnect.  
If you do not apply network settings now, network settings will  
take effect only after running "apply" and "reboot"  
Do you want to apply network settings now? (y/n)
```

2. Enter `y`.
3. Enter the `apply` command to apply the changes.
4. If no further configuration changes are required, enter the `reboot` command to restart the device.

5.2.2 Configuring DNS

You must set up Domain Name Servers (DNS) in Awake appliances to use hostname instead of IP addresses. Perform the following steps to configure DNS:

1. Enter the `set dns nameservers` command.
An interactive prompt will ask for primary and secondary servers.
2. Enter the primary and secondary DNS.
3. Enter the `apply` command to apply the changes.
4. If no further configuration changes are required, enter the `reboot` command to restart the device.

5.2.3 Configuring NTP

You must configure the Network Time Protocol (NTP) in all of your Awake appliances to ensure the accuracy of the appliance clock. Perform the following steps to configure NTP:


1. Enter the `set ntp servers` command.
An interactive prompt will ask for primary and secondary servers.
2. Enter the primary and secondary servers.
3. Enter the `apply` command to apply the changes.
4. If no further configuration changes are required, enter the `reboot` command to restart the device.

5.2.4 Configuring Proxy

Awake appliances support outgoing connection using the customer's proxy (without SSL interception). Perform the following steps to configure proxy for outgoing connections:

1. Enter the `set proxy servers` command.

2. Enter the required details when an interactive prompt asks for the following information:
 - **Host:** The IP address of the proxy server.


 **Note:** You may enter the hostname instead of the IP address if DNS already has been configured, applied, and the system was rebooted.

 - **Port:** The port of the proxy server
 - **Username / password:** Enter the credentials if the proxy requires authentication.
3. Enter the `apply` command to apply the changes.
4. If no further configuration changes are required, enter the `reboot` command to restart the device.


5.2.5 Configuring IPMI / DRAC Interface

Awake appliances provide a dedicated network interface for the Intelligent Platform Management Interface (IPMI) and the Dell™ Remote Assistant Card (DRAC) interface. Perform the following steps to configure IPMI:

1. Enter the `set ipmi config` command.
2. Enter the required details when an interactive prompt asks for the following information:
 - **IPMI Interface Mode (static or dhcp):** Sets the interface to either DHCP or Static mode.

 **Note:** We recommend setting the interface to static mode.

 - **IP:** The static IP address of the interface.
 - **Subnet Mask:** The subnet mask of the network. For example, 255.255.255.0
 - **Default Gateway:** The default gateway of the network
 - **Would you like to change the ipmi admin password:** : Enter `y` to configure the IPMI password, else enter `n`.

 **Note:**

 - The default password is printed on a label on the appliance.
 - The password can be shared if it is configured by the Awake team.
 - The password should not exceed 20 characters and must contain numbers, uppercase letters, and symbols.
3. Enter the `apply` command to apply the changes.
4. If no further configuration changes are required, enter the `reboot` command to restart the device.

5.3 Verifying the Configuration

After the reboot is complete, log in to the CLI and enter the `show networking` command to verify the current configuration.

This command displays networking configuration settings for the management and IPMI/DRAC interfaces. Ensure that the network settings are correct.

Status Indicators

The Status Indicators section discusses the following topics:

- [Control Panel Indicators](#)



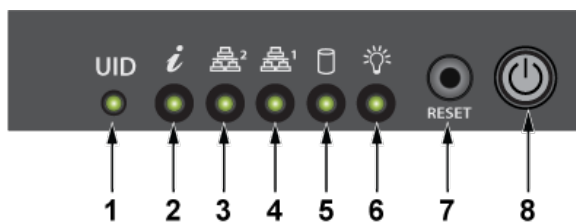
Note: The control panel LEDs are located on the right side of the appliance, and display system, fan, and power supply status. They are labeled in either [DCA-NDR-S100MB](#), [DCA-NDR-S1](#) or [DCA-NDR-A5](#), [DCA-NDR-NB10](#), [DCA-NDR-S5](#), [DCA-NDR-S10](#).

- [Front Panel Status Indicators](#)
- [Rear Panel Status Indicators](#)

A.1 Control Panel Indicators

Front panel LEDs are located on the upper right corner of the device for 1RU Awake appliances.

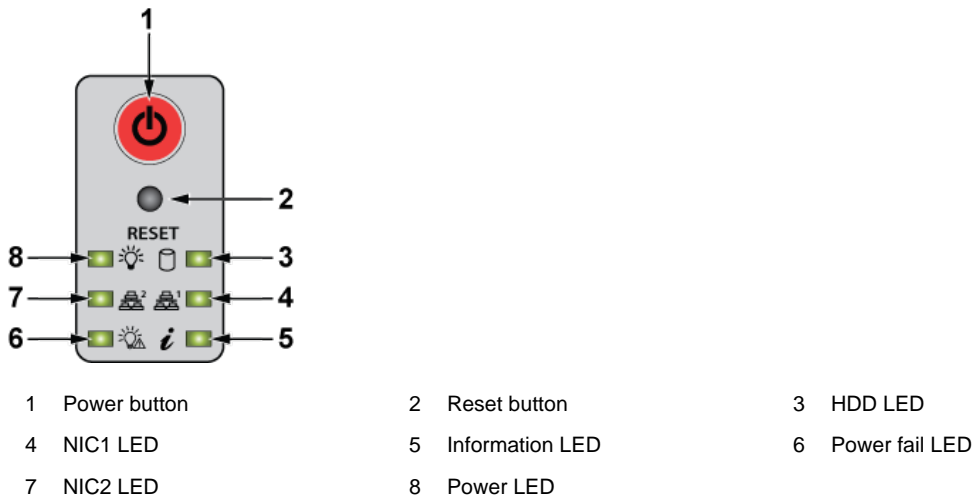
Figure A-1: DCA-NDR-S100MB, DCA-NDR-S1



- | | | |
|----------------|-------------------|-------------|
| 1 UID LED | 2 Information LED | 3 NIC2 LED |
| 4 NIC1 LED | 5 HDD LED | 6 Power LED |
| 7 Reset button | 8 Power button | |

Front panel LEDs are located on the lower left corner of the device for the 2RU Awake appliance.

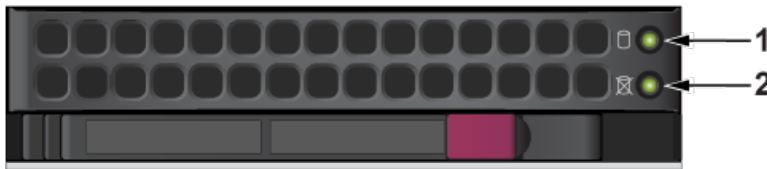
Figure A-2: DCA-NDR-A5, DCA-NDR-NB10, DCA-NDR-S5, DCA-NDR-S10




A.2 Front Panel Status Indicators

The two LED indicators next to each hard drive carrier are activity and status indicators.

Figure A-3: Drive Status Indicators

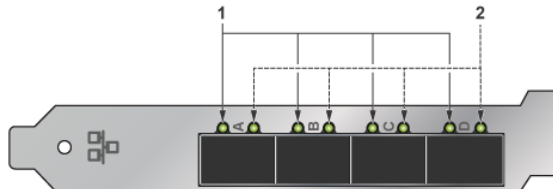


Label	Indication	Meaning
Storage Activity LEDs	Blinking	Actively transmitting or receiving data
	Off	No transmit of data
NVMe Activity LEDs	Solid blue	Active connection
	Off	No connection
Status	Off  Note: In non-RAID configurations, the status LEDs are always off.	Not in use

A.3 Rear Panel Status Indicators

The two LED indicators above either side of each management port and each packet capture port are link and activity indicators.

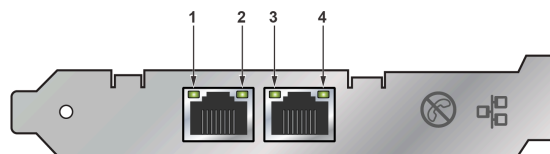
DCA-NDR-S100MB, DCA-NDR-S5, DCA-NDR-S10, DCA-NDR-A5 Packet Capture Port LEDs



1 Link LEDs 2 Activity LEDs

Label	Indication	Meaning
Link	Green	Linked at 10 Gb
	Yellow	Linked at 1 Gb
Activity	Blinking	Actively transmitting or receiving data
	Off	No link

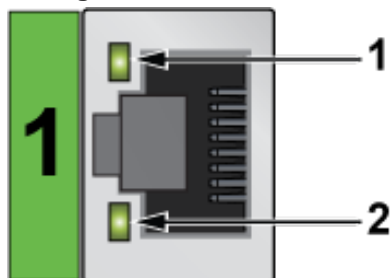
DCA-NDR-NB10 Interconnect Port LEDs



1 Link LED 3 Link LED
2 Activity LED 4 Activity LED

Label	Indication	Meaning
Link	Off	Not linked to the LAN
	Green	Linked at 10 GB
	Yellow	Linked at 1 GB
Activity	Off	No link
	Blinking	Actively transmitting or receiving data

Management Port LEDs

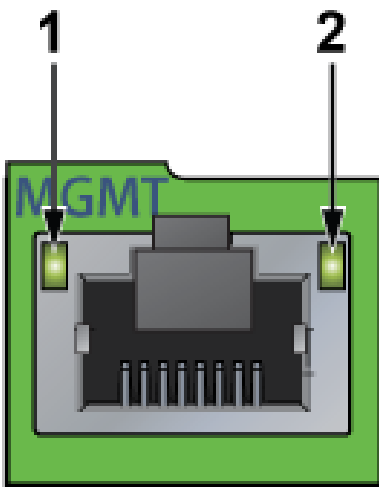


1 Link LED

2 Activity LED

Label	Indication	Meaning
Activity/Link	Green: Solid	The adapter is connected to a valid link partner.
	Green: Flashing	Data activity
	Off	No link
10 = Off	Off	10 Mbps
100 = Green	Green	100 Mbps
1000 = Yellow	Yellow	1000 Mbps

IPMI LAN Port LEDs



1 Link LED

2 Activity LED

The green, amber, or off indicates the speed of the connection. The amber LED indicates activity.

Table 2: IPMI Link LEDs

LED Color	Definition
Amber: Solid	1 Gb/s
Green: Solid	100 Mb/s
Off	No connection or 10 Mb/s

Parts List

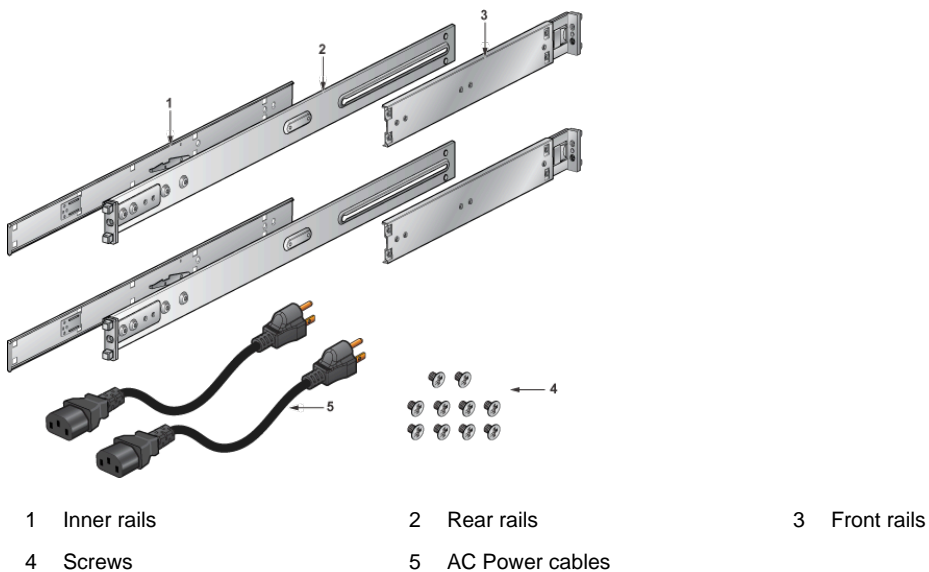
The Parts List section discusses the following topics:

- [Rack Mount Parts](#)
- [Cables](#)

B.1 Rack Mount Parts

Each Awake appliance provides an accessory kit that contains parts that are required to install the appliance. This appendix lists the installation parts contained in the accessory kit.

Figure B-1: Awake Accessory Kit



B.2 Cables

A pair of AC power cables (part number: NEMA 5-15p) is included in the accessory kit.



Note:

All provided power cables are for use with Arista products only.

警告

すべての電源コードは提供する製品で使用するためだけを目的としている。

電源コードの他の製品での使用の禁止

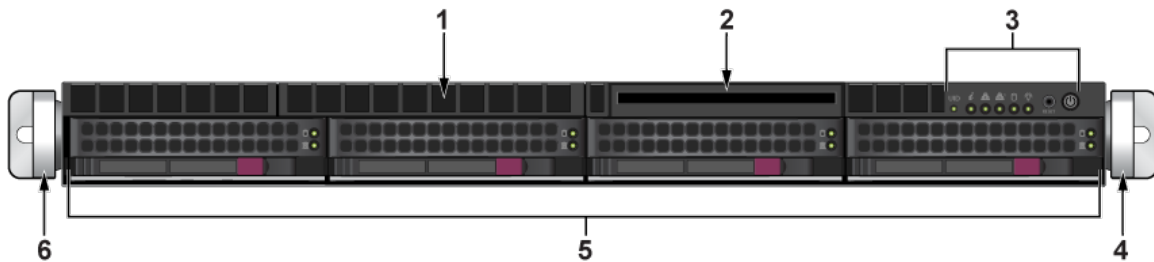
Aristaが提供するすべての電源コードは、Aristaの製品でのみ使用してください。

Front Panel

This section displays the front panel of all Awake Security appliances this guide covers.

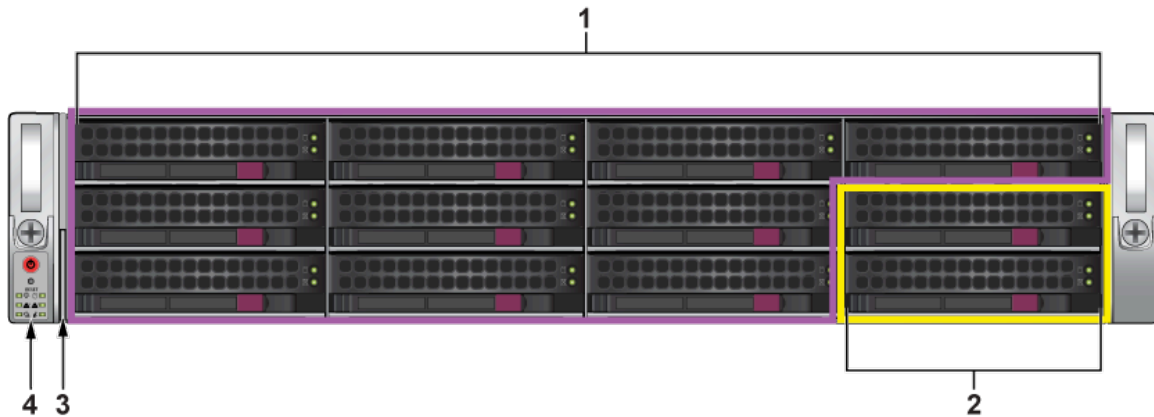


Note: All devices are designed to fit into a 19" rack. The appearance may be different than those shown based on PSU and fan modules used.



- 1 Unused port
- 2 Unused port
- 3 Control panel
- 4 Right rack ear brackets
- 5 Storage drives
- 6 Left rack ear brackets

Figure C-1: DCA-NDR-A5, DCA-NDR-NB10, DCA-NDR-S5, DCA-NDR-S10



- 1 Storage drives
- 2 NVMe - A5 and NB10 only
- 3 Service/Asset tag
- 4 Control panel

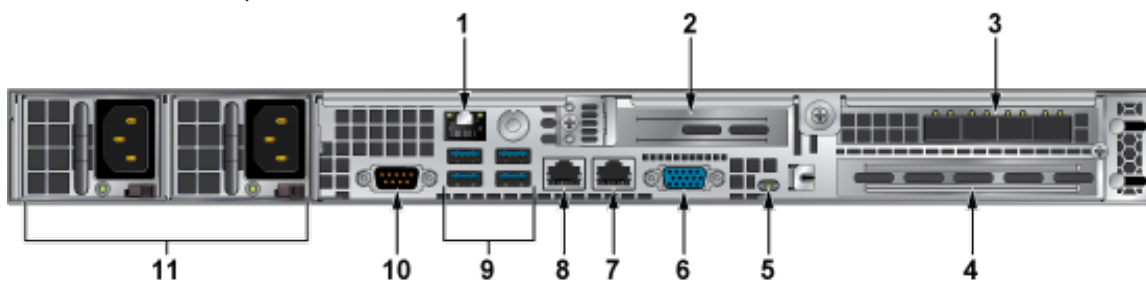
Rear Panel

This section displays the rear panel of all Awake Security appliances covered by this guide.



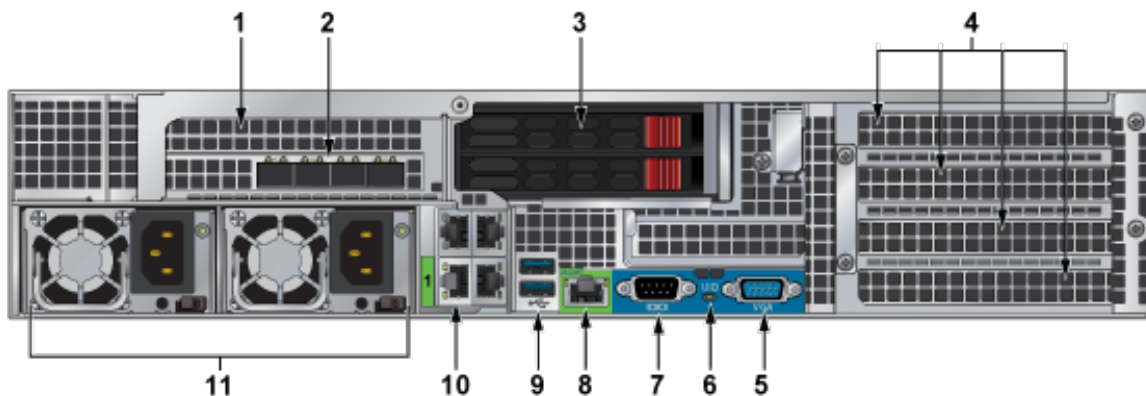
Note: All devices are designed to fit into a 19" rack. The appearance may be different than those shown based on the PSU types and the modules used.

DCA-NDR-S100MB, DCA-NDR-S1

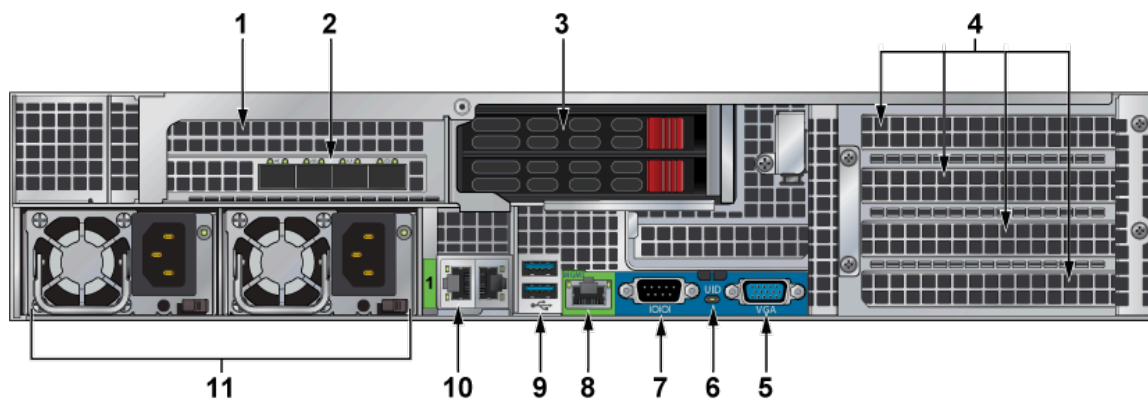


- | | | |
|-----------------|-------------------|------------------------|
| 1 IPMI LAN port | 2 Unused slot | 3 Packet capture ports |
| 4 Unused slot | 5 UID LED | 6 VGA |
| 7 Unused port | 8 Management port | 9 USB ports |
| 10 COM port | 11 Power supplies | |

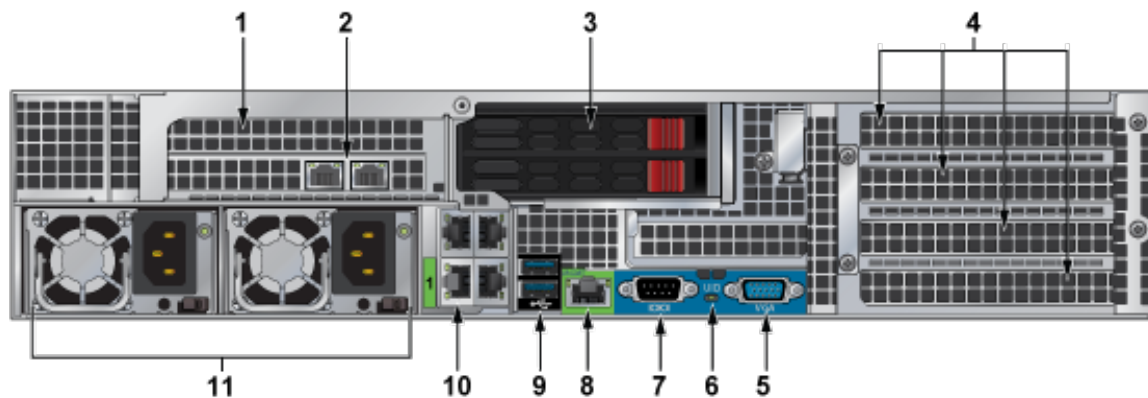
DCA-NDR-A5, DCA-NDR-S5



- | | | |
|--------------------|------------------------|--------------|
| 1 Unused slot | 2 Packet capture ports | 3 SSD drives |
| 4 Unused slots | 5 VGA | 6 UID LED |
| 7 COM port | 8 IPMI LAN ports | 9 USB ports |
| 10 Management port | 11 Power supplies | |

DCA-NDR-S10

- | | | |
|--------------------|-------------------|--------------|
| 1 Unused slot | 2 Capture ports | 3 SSD drives |
| 4 Unused slots | 5 VGA | 6 UID LED |
| 7 COM port | 8 IPMI LAN ports | 9 USB ports |
| 10 Management port | 11 Power supplies | |

DCA-NDR-NB10

- | | | |
|--------------------|----------------------|--------------|
| 1 Unused slot | 2 Interconnect ports | 3 SSD drives |
| 4 Unused slots | 5 VGA | 6 UID LED |
| 7 COM port | 8 IPMI LAN ports | 9 USB ports |
| 10 Management port | 11 Power supplies | |

Regulatory Model Numbers

This section lists the regulatory model numbers (RMNs) for the product models of the Awake Security appliances described in this document.

Table 3: Regulatory Model Numbers and Product Numbers

Regulatory Model Numbers (RMNs)	Product Numbers
815-R5H12	DCA-NDR-S100MB
815-R5H12	DCA-NDR-S1
829UAS-16	DCA-NDR-S5
829U-R16H12	DCA-NDR-S10
829UAS-16	DCA-NDR-A5
829UAS-16	DCA-NDR-NB10